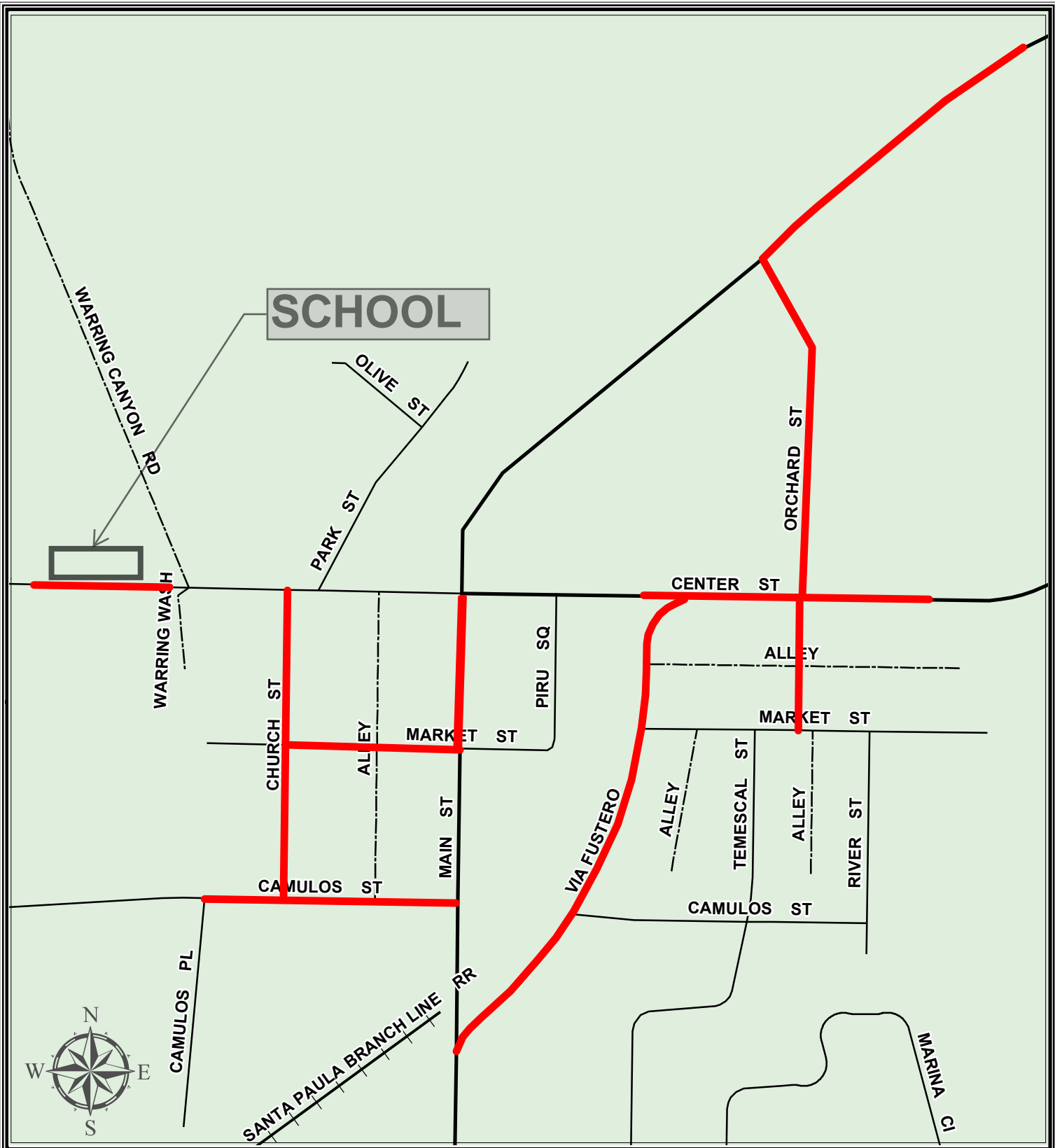


Project Location

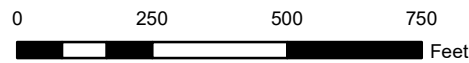


Pacific Ocean

**COUNTY OF VENTURA
PUBLIC WORKS AGENCY
ROADS & TRANSPORTATION**
ACTIVE TRANSPORTATION PROGRAM -CYCLE-6 (2022)
PIRU PEDESTRIAN IMPROVEMENTS
VICINITY MAP

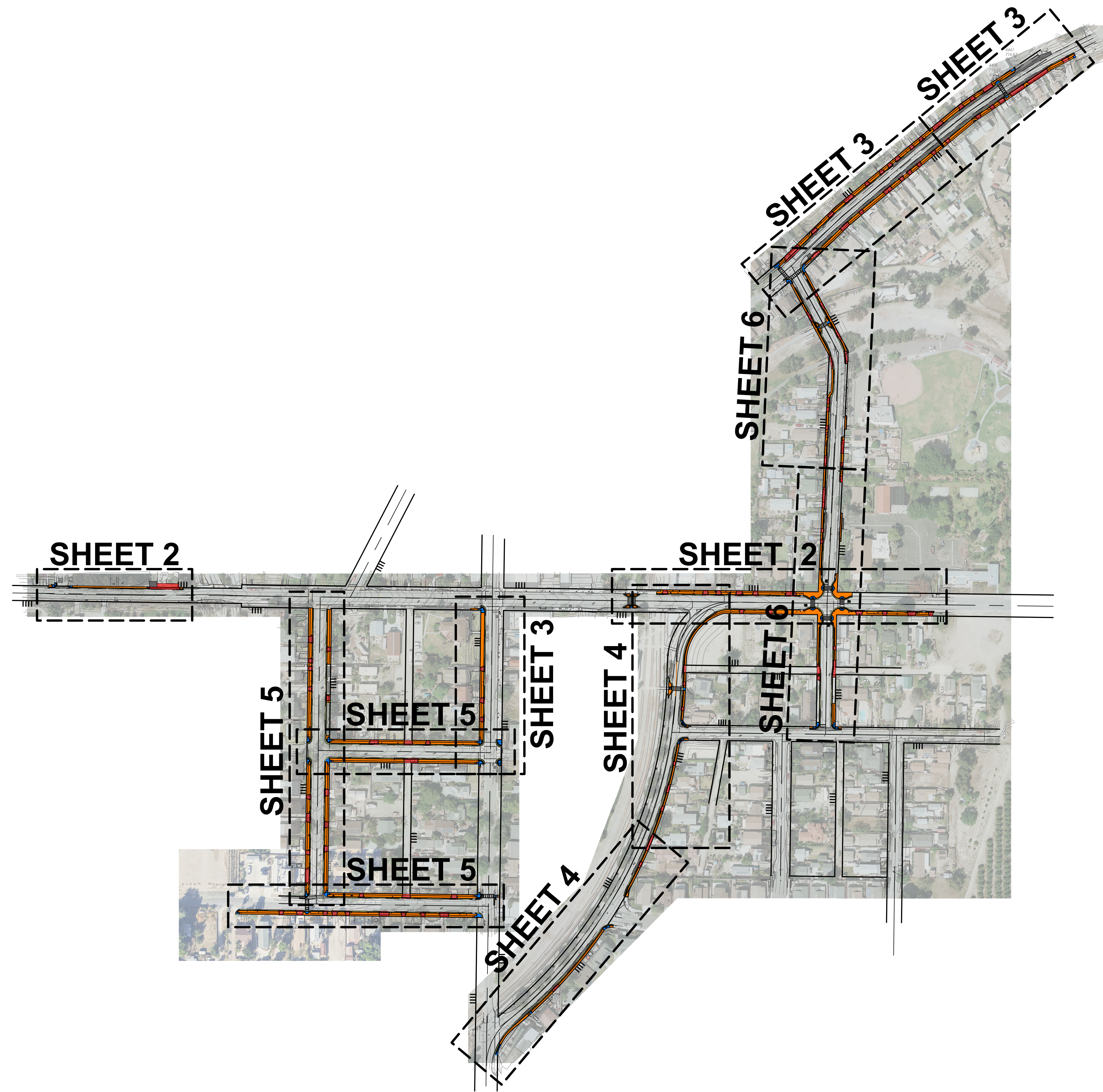


PROJECT LOCATIONS 

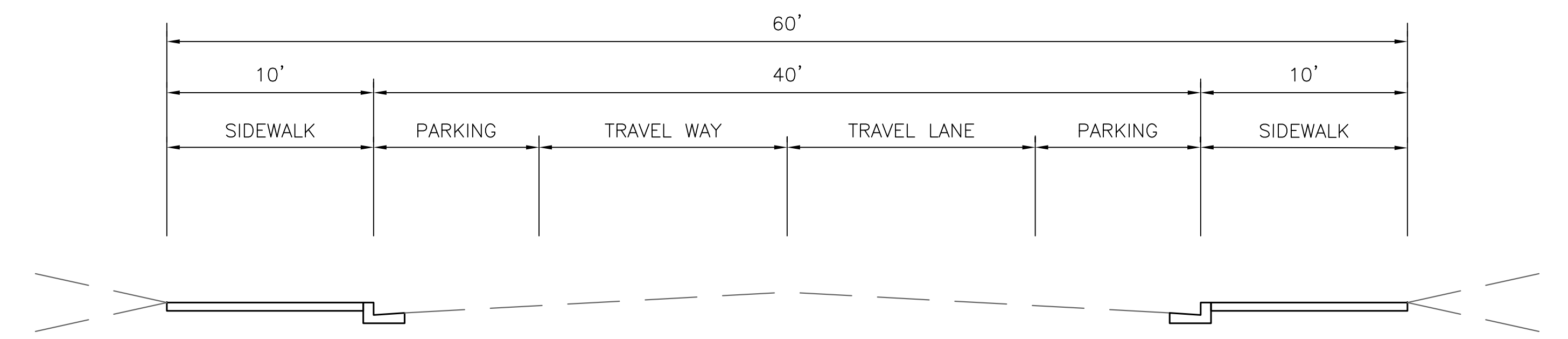


COUNTY OF VENTURA
PUBLIC WORKS AGENCY
ROADS & TRANSPORTATION DEPARTMENT
 ACTIVE TRANSPORTATION PROGRAM -CYCLE-6 (2022)
 PIRU PEDESTRIAN IMPROVEMENTS
 LOCATION MAP

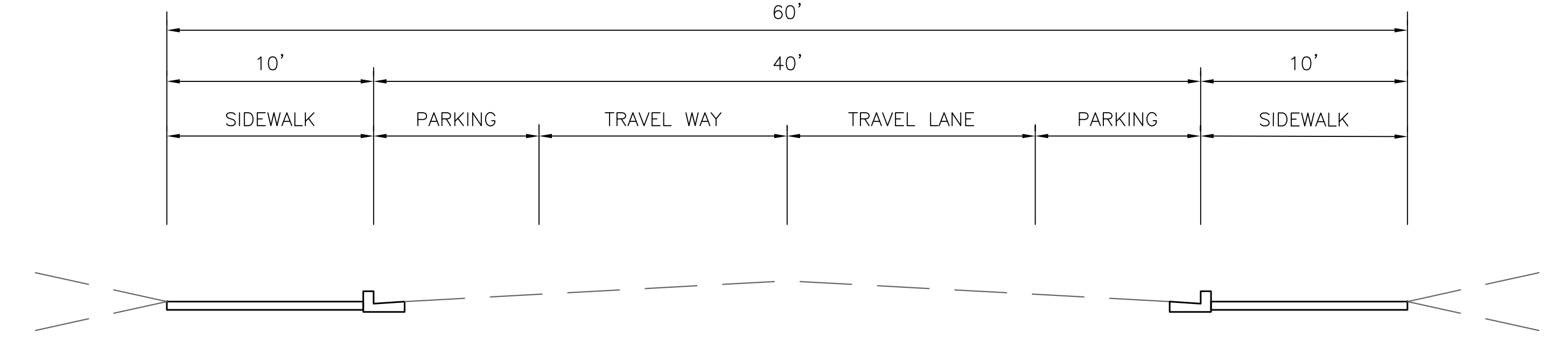
COUNTY OF VENTURA
PUBLIC WORKS AGENCY
ACTIVE TRANSPORTATION PROGRAM CYCLE 6
PIRU PEDESTRIAN IMPROVEMENT PROJECT



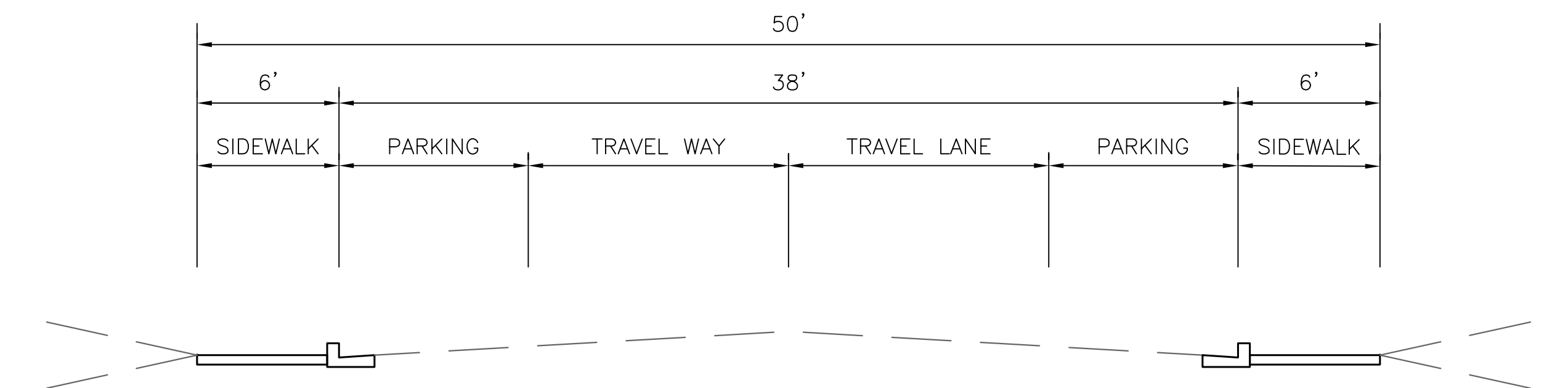
LOCATION MAP
SCALE: 1" = 150'



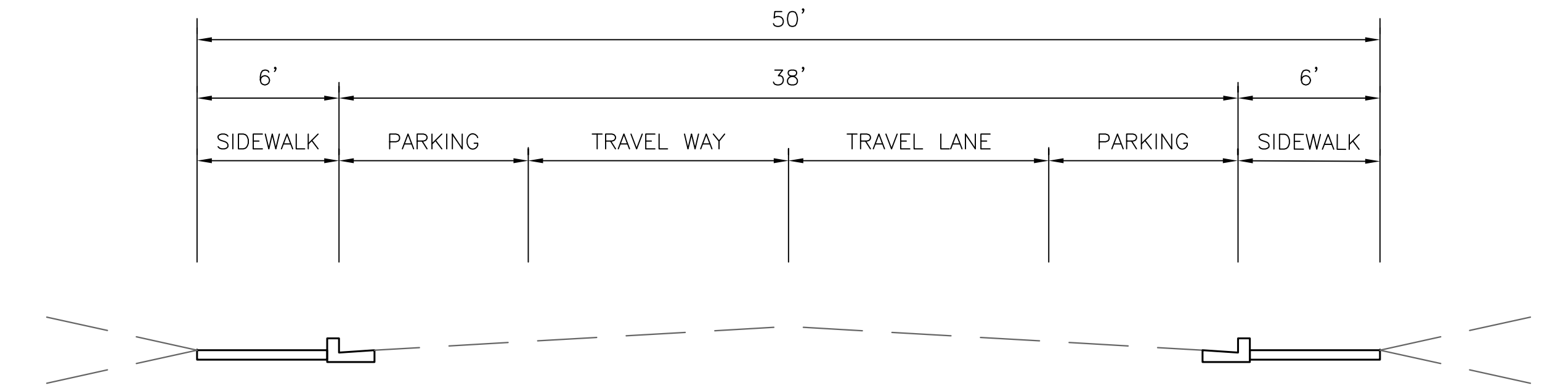
60' RIGHT OF WAY
TYPICAL SECTION RAISED SIDEWALK
SCALE: 1" = 5'



60' RIGHT OF WAY
TYPICAL SECTION SIDEWALK AT GRADE
SCALE: 1" = 5'



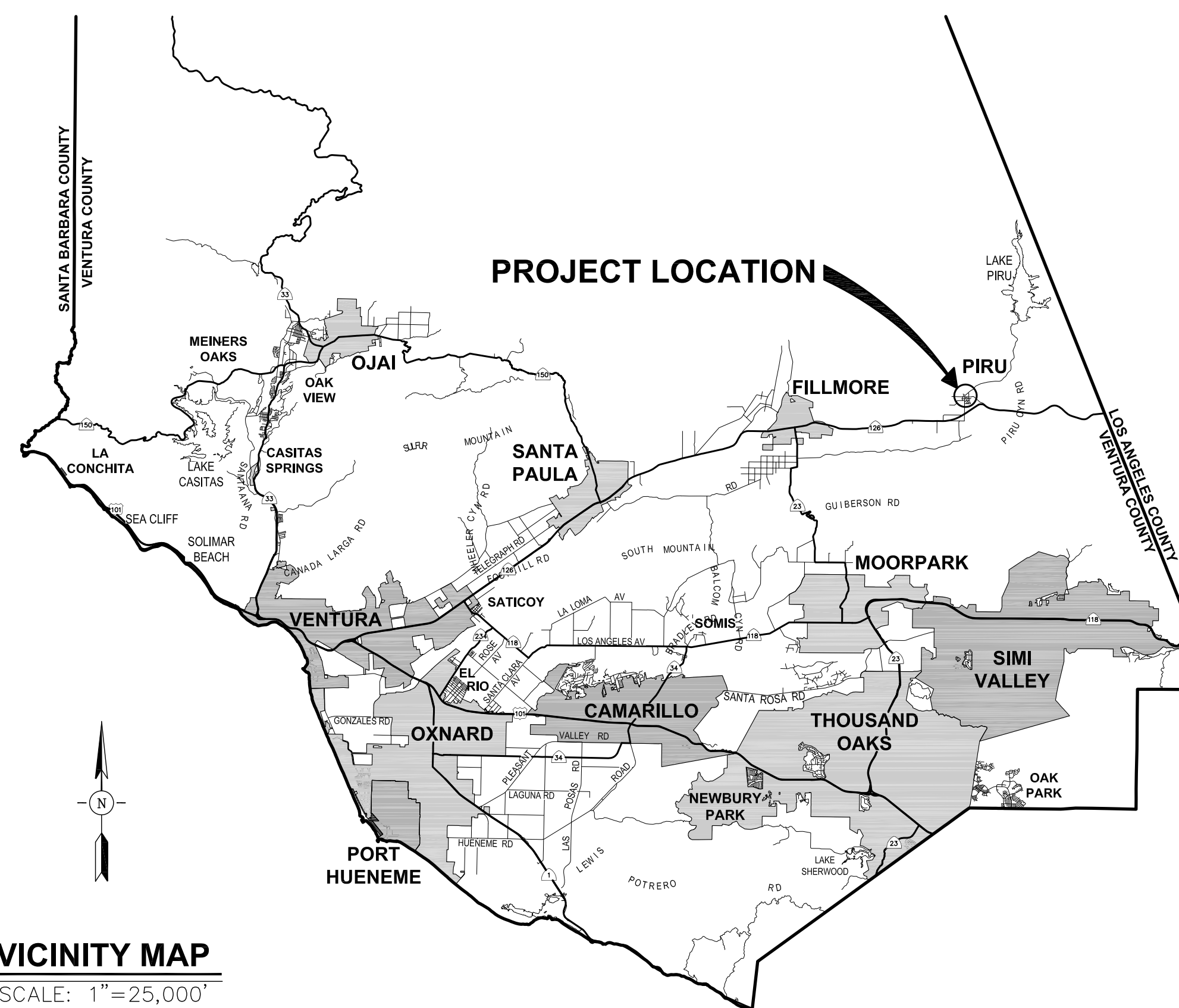
50' RIGHT OF WAY
TYPICAL SECTION RAISED SIDEWALK
SCALE: 1" = 5'



50' RIGHT OF WAY
TYPICAL SECTION SIDEWALK AT GRADE
SCALE: 1" = 5'

INDEX

SHT NO.	DESCRIPTION
1.	TITLE SHEET
2.	CENTER STREET
3.	MAIN STREET
4.	VIA FUSTERO
5.	MARKET STREET, CAMULOS STREET AND CHURCH STREET
6.	ORCHARD STREET



VICINITY MAP
SCALE: 1" = 25,000'



REVISION	DESCRIPTION	APP	DATE
D			
C			
B			
A			

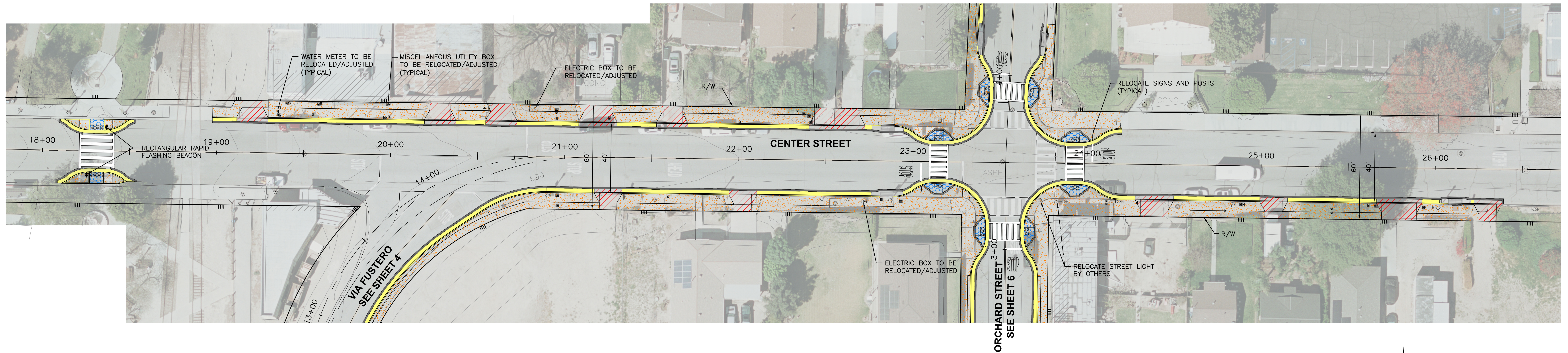
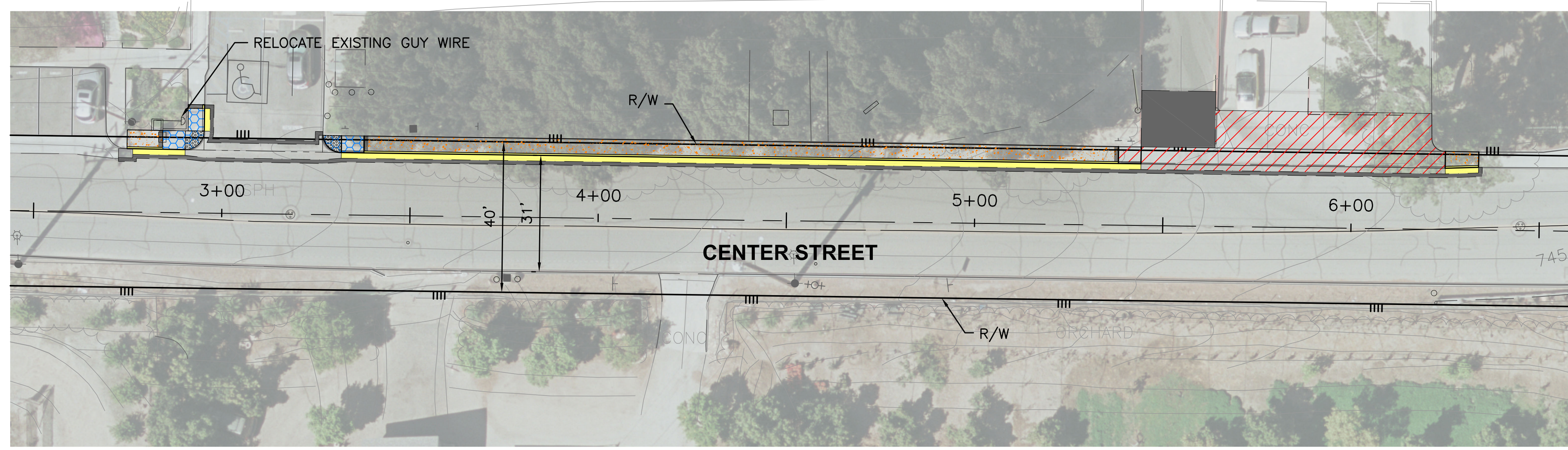
INSERT SURVEYORS PROJECT BENCHMARK

DEPUTY DIRECTOR, DESIGN DIVISION
DIRECTOR OF TRANSPORTATION
DIRECTOR OF PUBLIC WORKS



COUNTY OF VENTURA
PUBLIC WORKS AGENCY
ROADS & TRANSPORTATION

ACTIVE TRANSPORTATION PROGRAM CYCLE 6
PIRU PEDESTRIAN IMPROVEMENT PROJECT



LEGEND AND ABBREVIATIONS

	PROPOSED CONCRETE CURB AND GUTTER
	PROPOSED CONCRETE SIDEWALK
	PROPOSED DRIVEWAY APPROACH
	PROPOSED ADA ACCESS
	PROPOSED ASPHALT
	PROPOSED CROSSWALKS
	RELOCATE/ADJUST EXISTING WATER METER
	RELOCATE/ADJUST EXISTING ELECTRICAL BOX
	RELOCATE/ADJUST EXISTING GAS VALVE
	RELOCATE/ADJUST EXISTING MISCELLANEOUS BOX

D			
C			
B			
A			
Δ	REVISION	DESCRIPTION	APP. DATE

ACTIVE TRANSPORTATION PROGRAM CYCLE 6
PIRU PEDESTRIAN IMPROVEMENT PROJECT

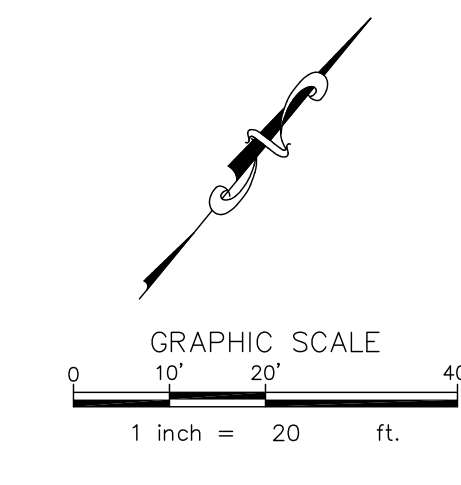
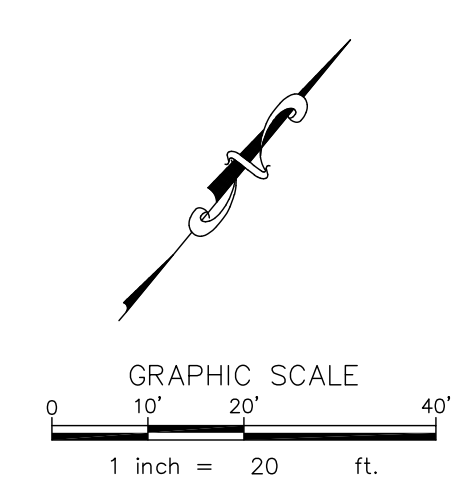
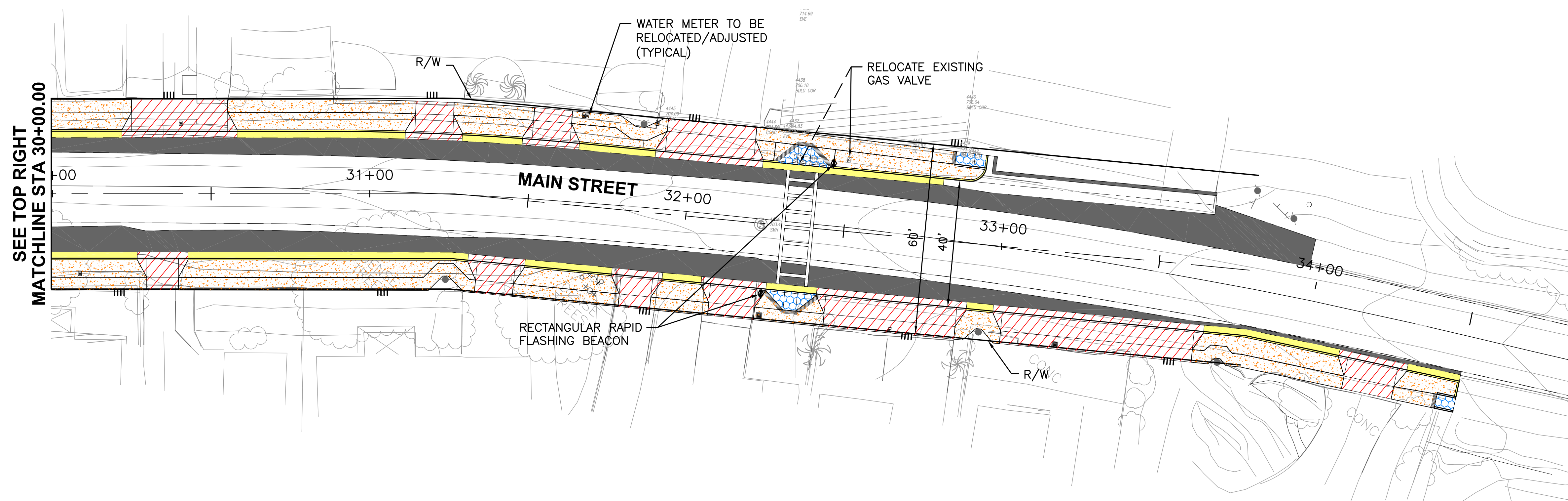
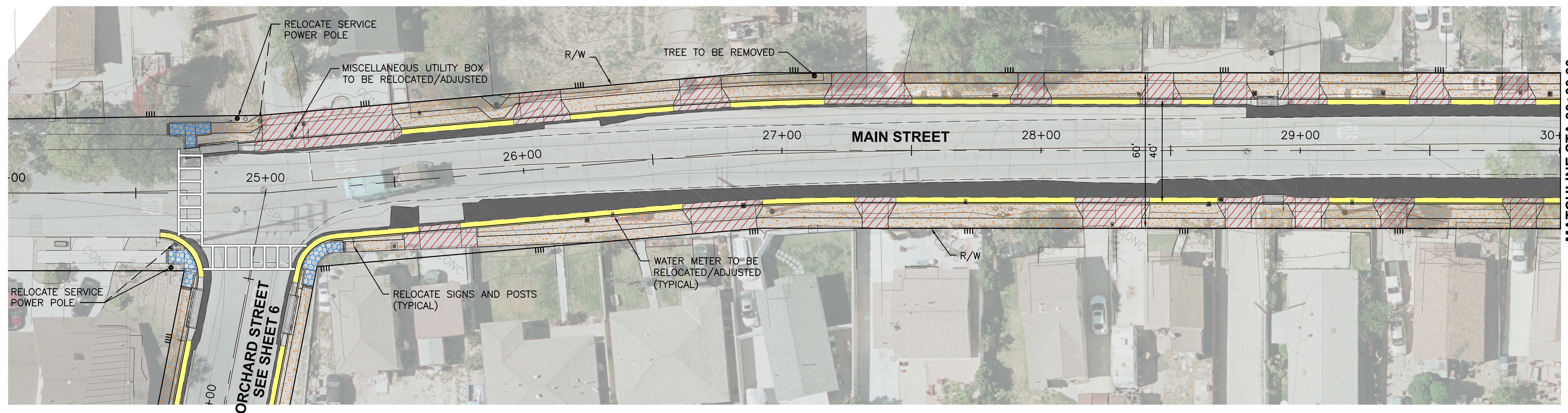
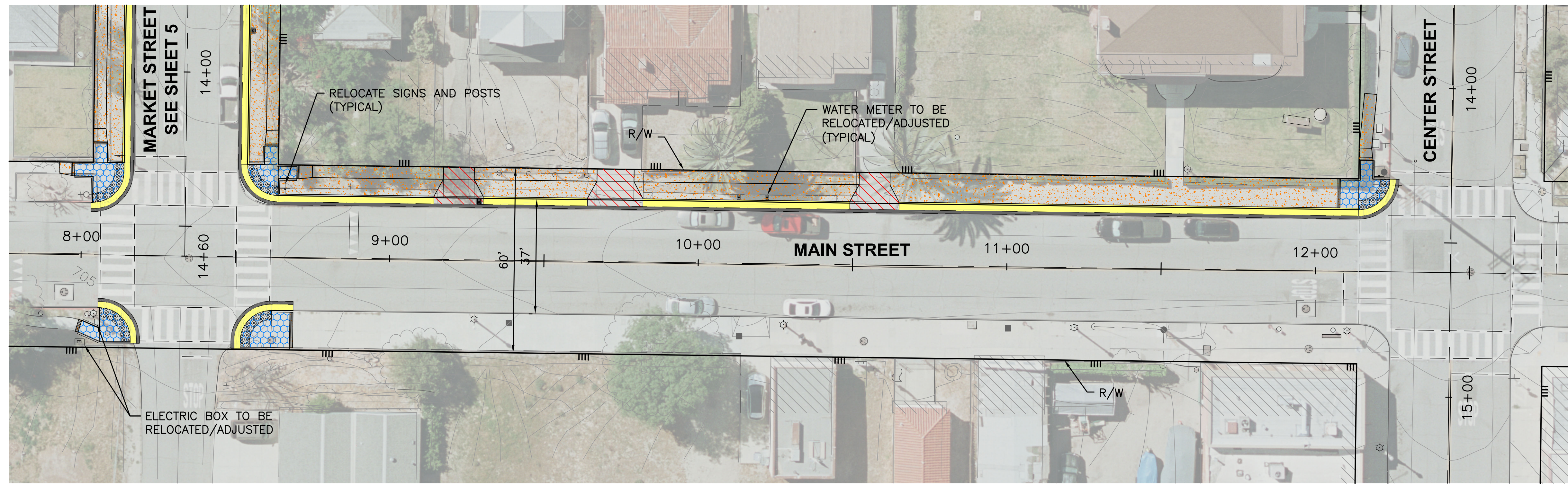
DRAWN BY: JM
CHECKED BY: HDL



COUNTY OF VENTURA - PUBLIC WORKS AGENCY
ROADS & TRANSPORTATION

CENTER STREET

SHEET 2
OF 6



- LEGEND AND ABBREVIATIONS**
- PROPOSED CONCRETE CURB AND GUTTER
 - PROPOSED CONCRETE SIDEWALK
 - PROPOSED DRIVEWAY APPROACH
 - PROPOSED ADA ACCESS
 - PROPOSED ASPHALT
 - PROPOSED CROSSWALKS
 - RELOCATE/ADJUST EXISTING WATER METER
 - RELOCATE/ADJUST EXISTING ELECTRICAL BOX
 - RELOCATE/ADJUST EXISTING GAS VALVE
 - RELOCATE/ADJUST EXISTING MISCELLANEOUS BOX

D			
C			
B			
A			
△	REVISION	DESCRIPTION	APP. DATE

ACTIVE TRANSPORTATION PROGRAM CYCLE 6
PIRU PEDESTRIAN IMPROVEMENT PROJECT

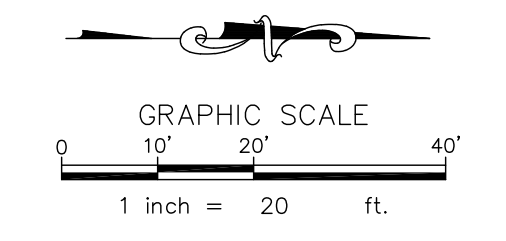
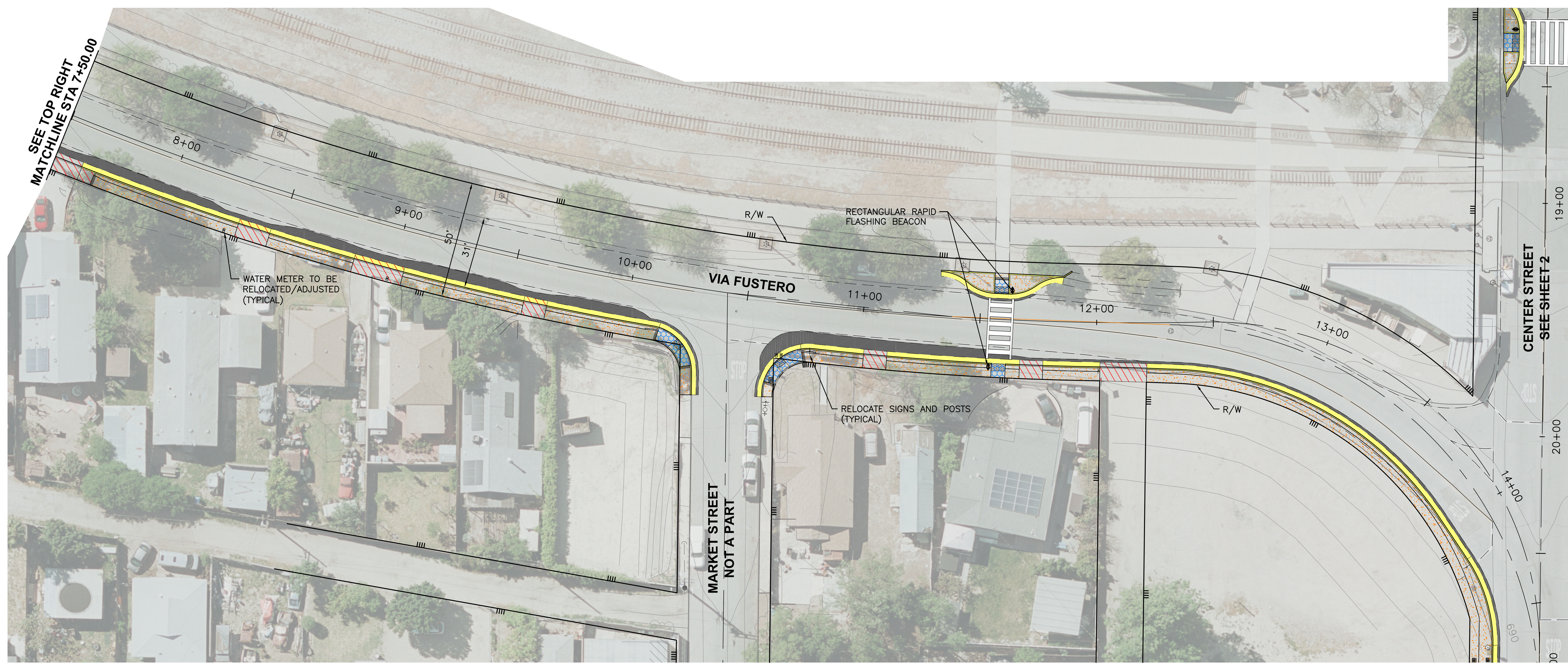
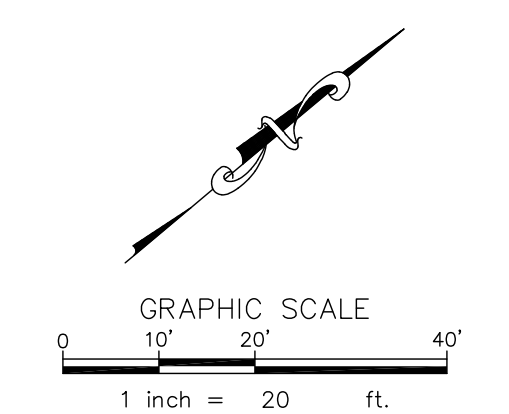
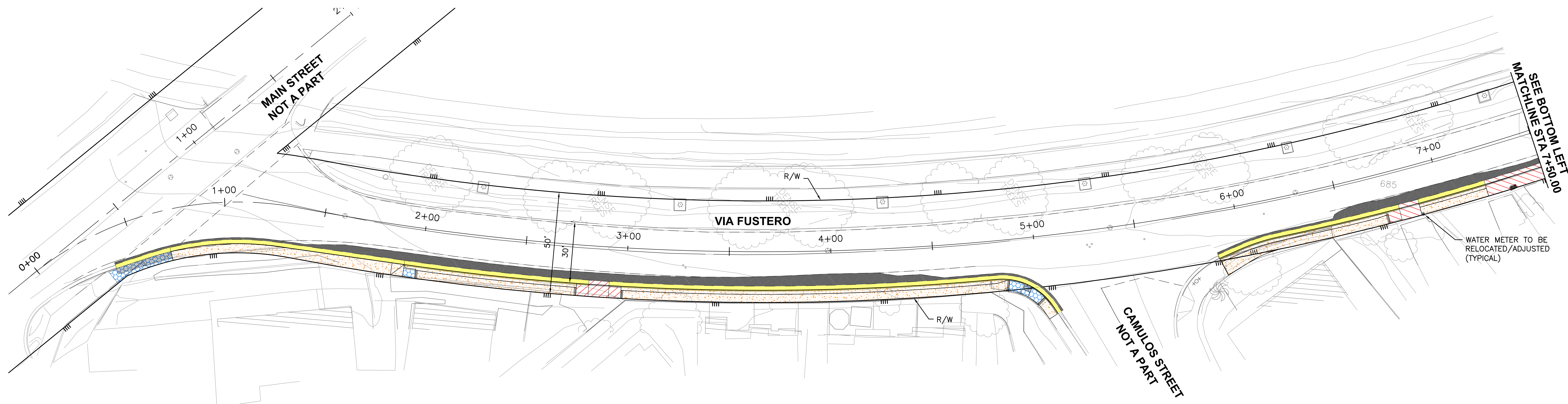
DRAWN BY: JM
CHECKED BY: HDL



COUNTY OF VENTURA - PUBLIC WORKS AGENCY
ROADS & TRANSPORTATION

MAIN STREET

SHEET 3
OF 6



- LEGEND AND ABBREVIATIONS**
- PROPOSED CONCRETE CURB AND GUTTER
 - PROPOSED CONCRETE SIDEWALK
 - PROPOSED DRIVEWAY APPROACH
 - PROPOSED ADA ACCESS
 - PROPOSED ASPHALT
 - PROPOSED CROSSWALKS
 - RELOCATE/ADJUST EXISTING WATER METER
 - RELOCATE/ADJUST EXISTING ELECTRICAL BOX
 - RELOCATE/ADJUST EXISTING GAS VALVE
 - RELOCATE/ADJUST EXISTING MISCELLANEOUS BOX

D			
C			
B			
A			
Δ	REVISION	DESCRIPTION	APP. DATE

ACTIVE TRANSPORTATION PROGRAM CYCLE 6
PIRU PEDESTRIAN IMPROVEMENT PROJECT

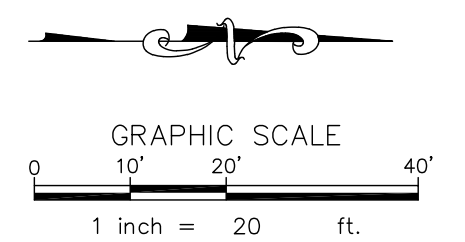
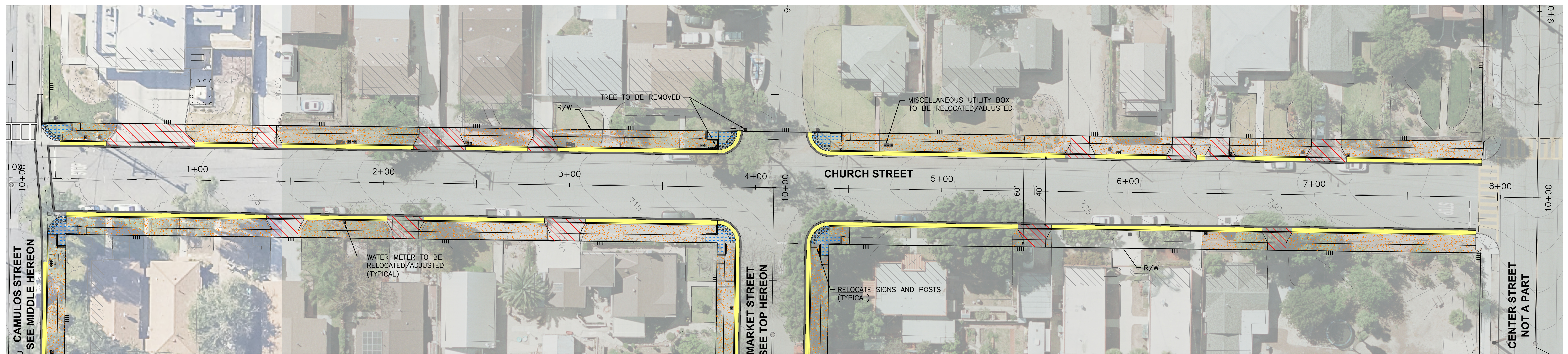
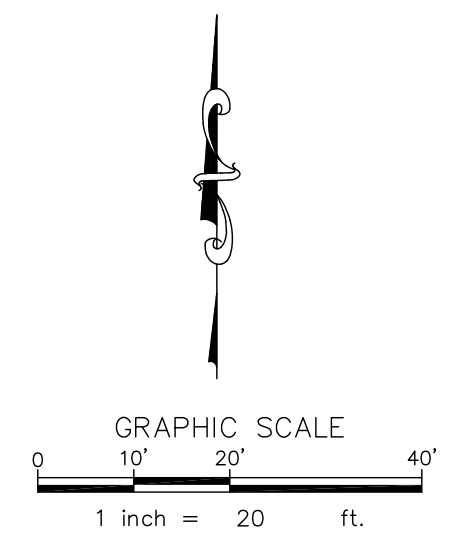
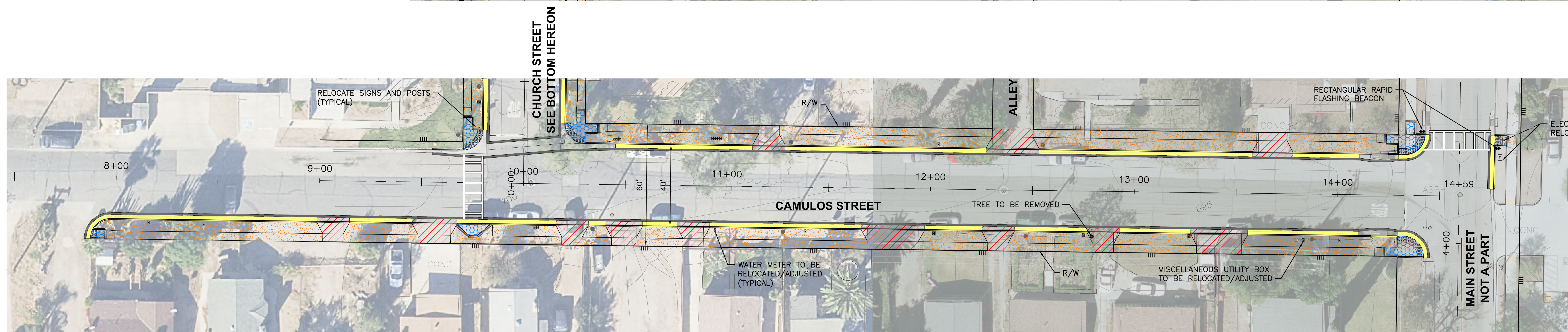
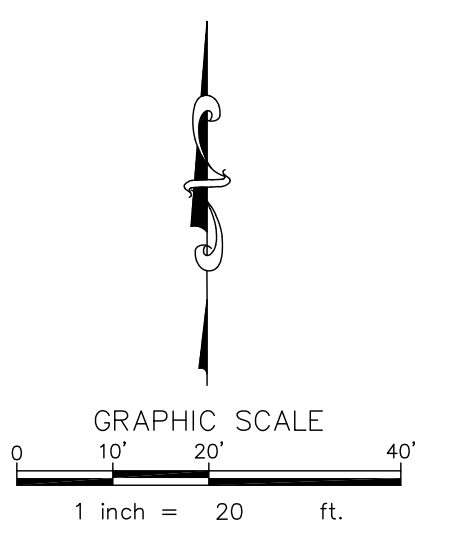
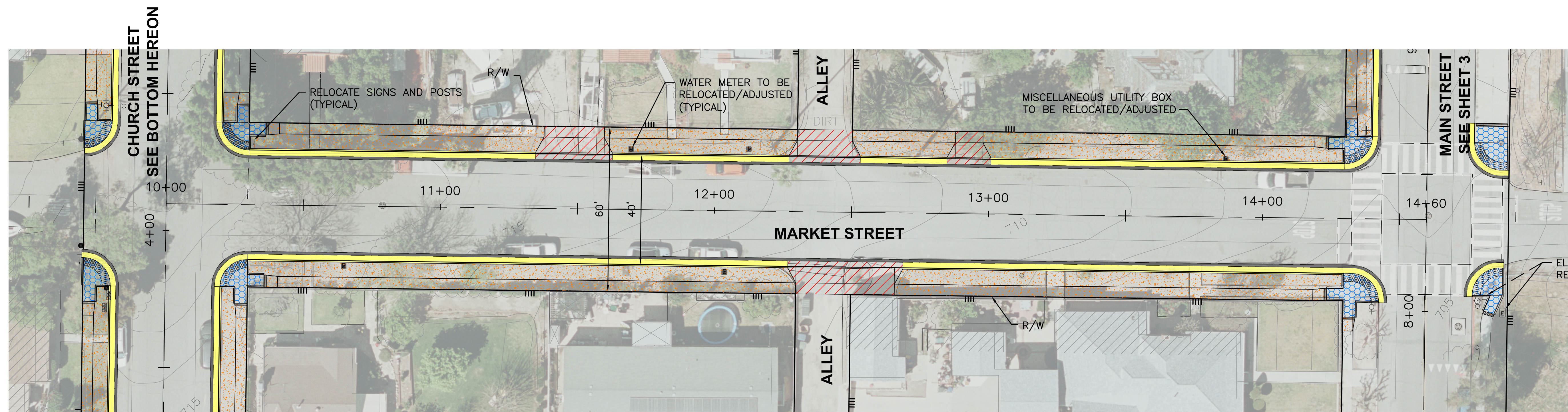
DRAWN BY: JM
CHECKED BY: HDL



COUNTY OF VENTURA - PUBLIC WORKS AGENCY
ROADS & TRANSPORTATION

VIA FUSTERO

SHEET 4
OF 6



LEGEND AND ABBREVIATIONS

- PROPOSED CONCRETE CURB AND GUTTER
- PROPOSED CONCRETE SIDEWALK
- PROPOSED DRIVEWAY APPROACH
- PROPOSED ADA ACCESS
- PROPOSED ASPHALT
- PROPOSED CROSSWALKS
- RELOCATE/ADJUST EXISTING WATER METER
- RELOCATE/ADJUST EXISTING ELECTRICAL BOX
- RELOCATE/ADJUST EXISTING GAS VALVE
- RELOCATE/ADJUST EXISTING MISCELLANEOUS BOX

D			
C			
B			
A			
△	REVISION	DESCRIPTION	APP. DATE

ACTIVE TRANSPORTATION PROGRAM CYCLE 6
PIRU PEDESTRIAN IMPROVEMENT PROJECT

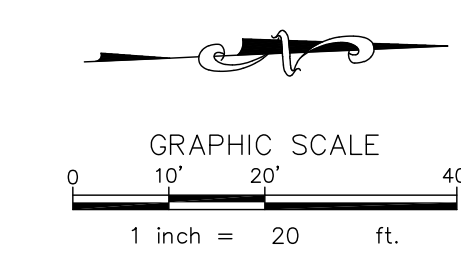
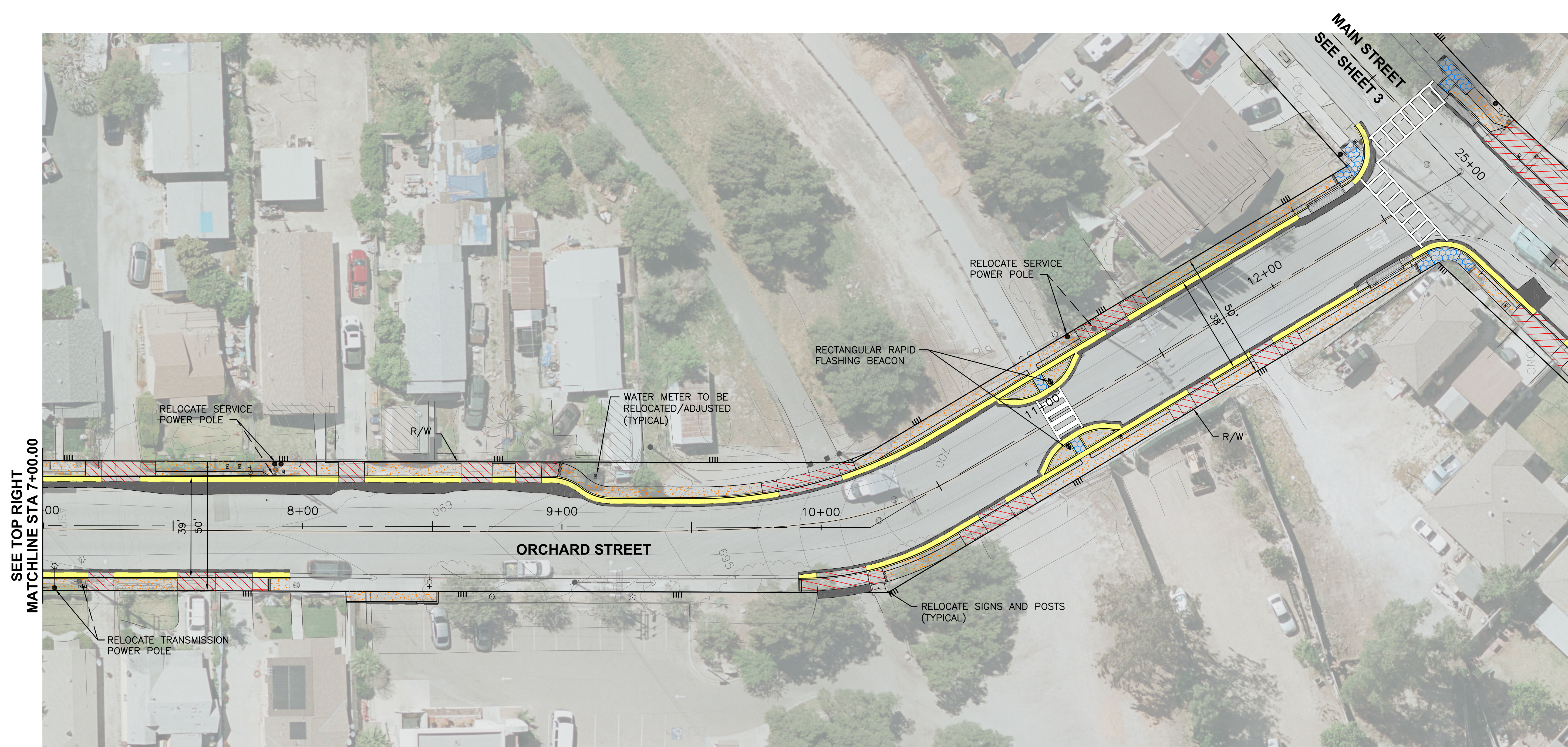
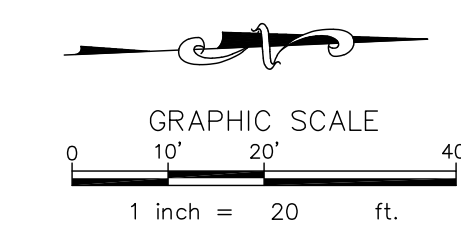
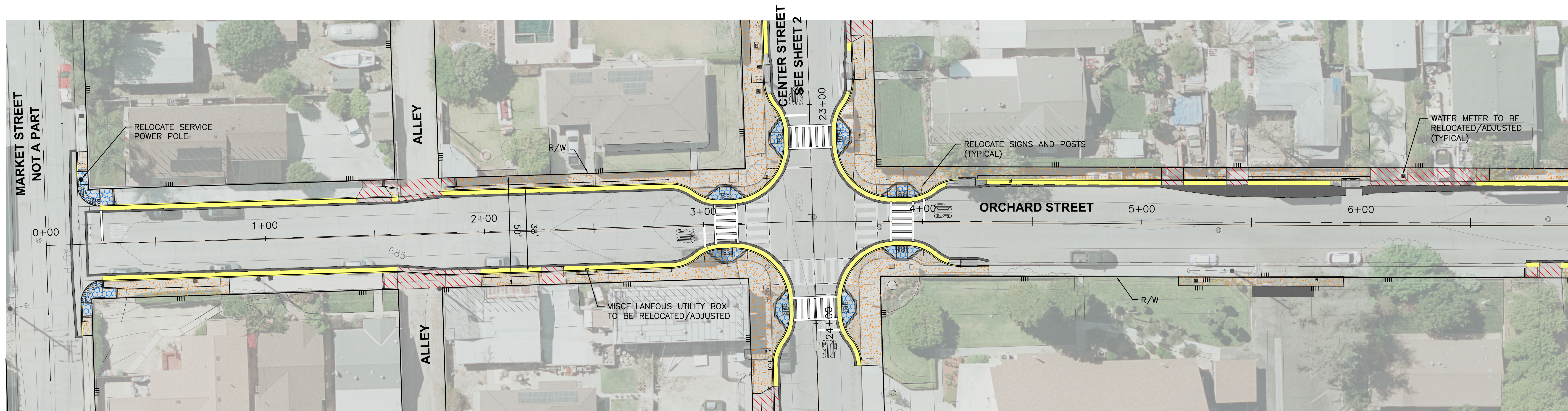
DRAWN BY: JM
CHECKED BY: HDL



COUNTY OF VENTURA - PUBLIC WORKS AGENCY
ROADS & TRANSPORTATION

MARKET STREET, CAMULOS STREET AND CHURCH STREET

SHEET 5
OF 6



- LEGEND AND ABBREVIATIONS**
- PROPOSED CONCRETE CURB AND GUTTER
 - PROPOSED CONCRETE SIDEWALK
 - PROPOSED DRIVEWAY APPROACH
 - PROPOSED ADA ACCESS
 - PROPOSED ASPHALT
 - PROPOSED CROSSWALKS
 - RELOCATE/ADJUST EXISTING WATER METER
 - RELOCATE/ADJUST EXISTING ELECTRICAL BOX
 - RELOCATE/ADJUST EXISTING GAS VALVE
 - RELOCATE/ADJUST EXISTING MISCELLANEOUS BOX

D			
C			
B			
A			
△	REVISION	DESCRIPTION	APP. DATE

ACTIVE TRANSPORTATION PROGRAM CYCLE 6
PIRU PEDESTRIAN IMPROVEMENT PROJECT

DRAWN BY: JM
CHECKED BY: HDL



COUNTY OF VENTURA - PUBLIC WORKS AGENCY
ROADS & TRANSPORTATION

ORCHARD STREET

SHEET 6
OF 6