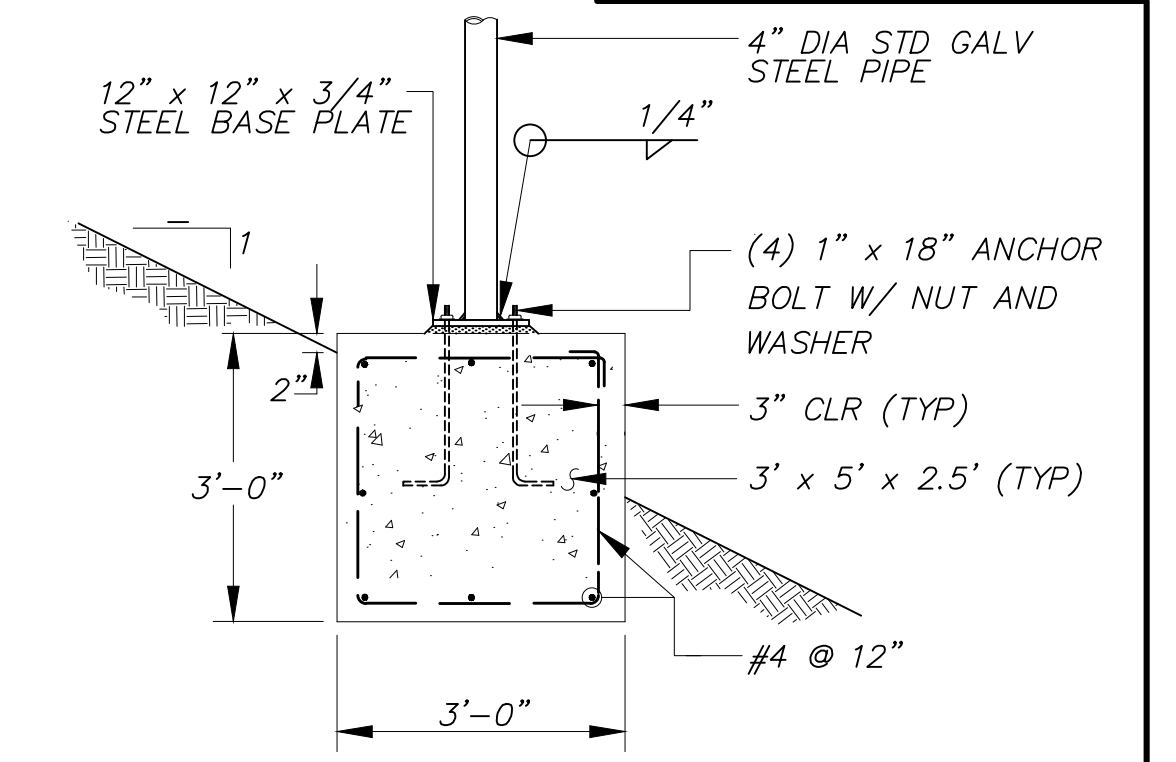
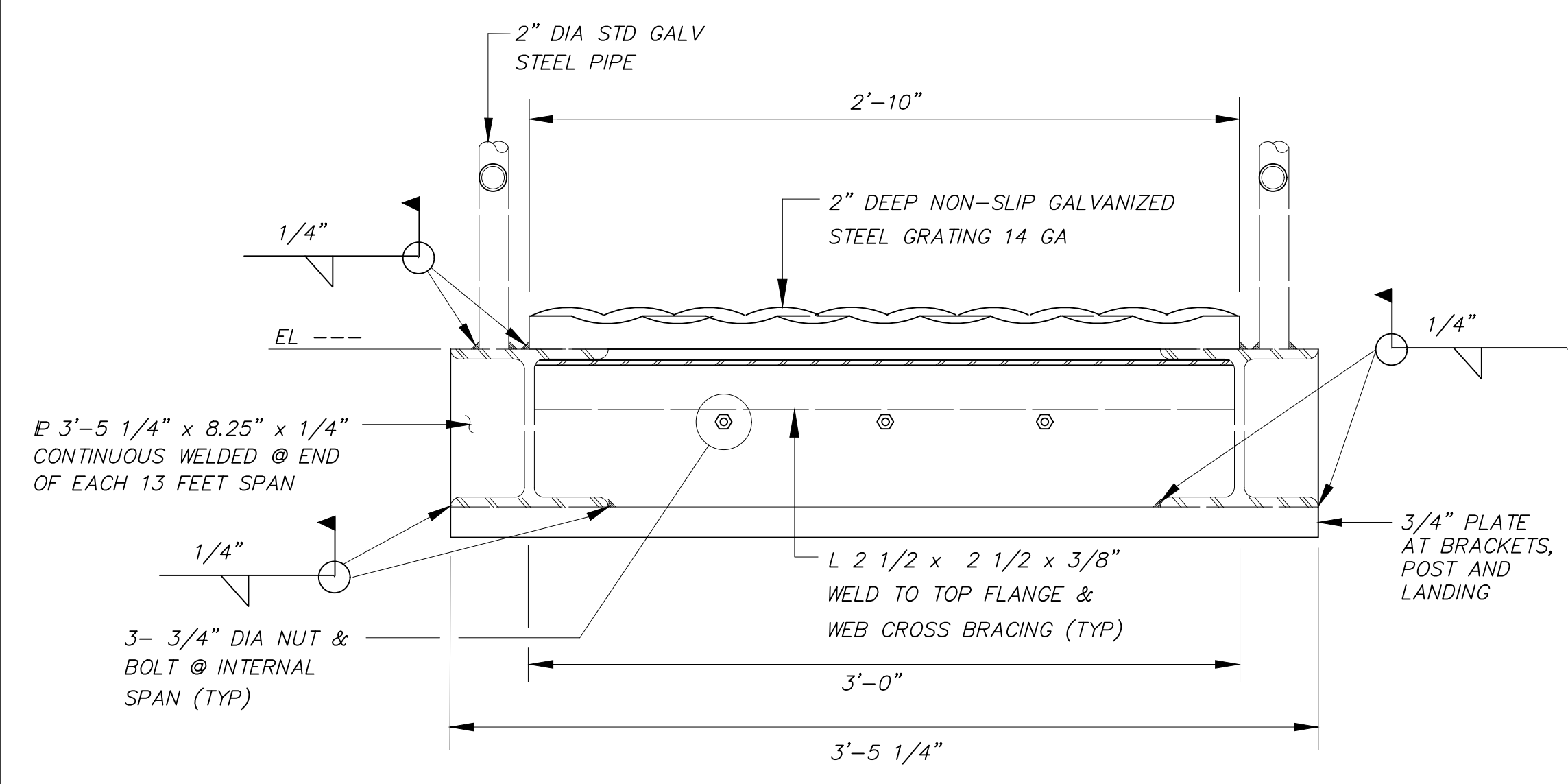


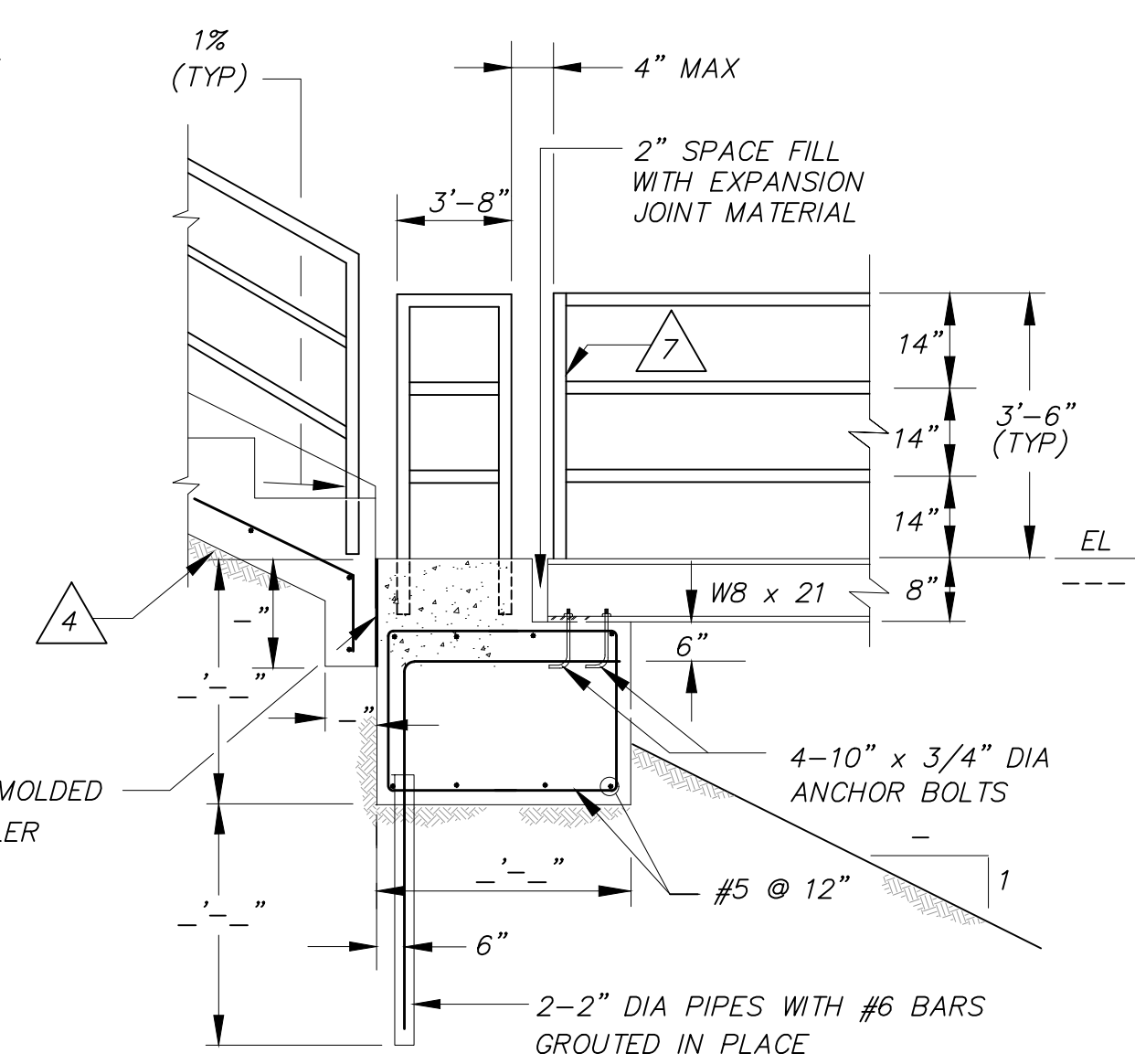
**WALL BRACKET AND DECKING DETAIL**  
NTS



**POST FOOTING DETAIL**  
SCALE 1" = 2'

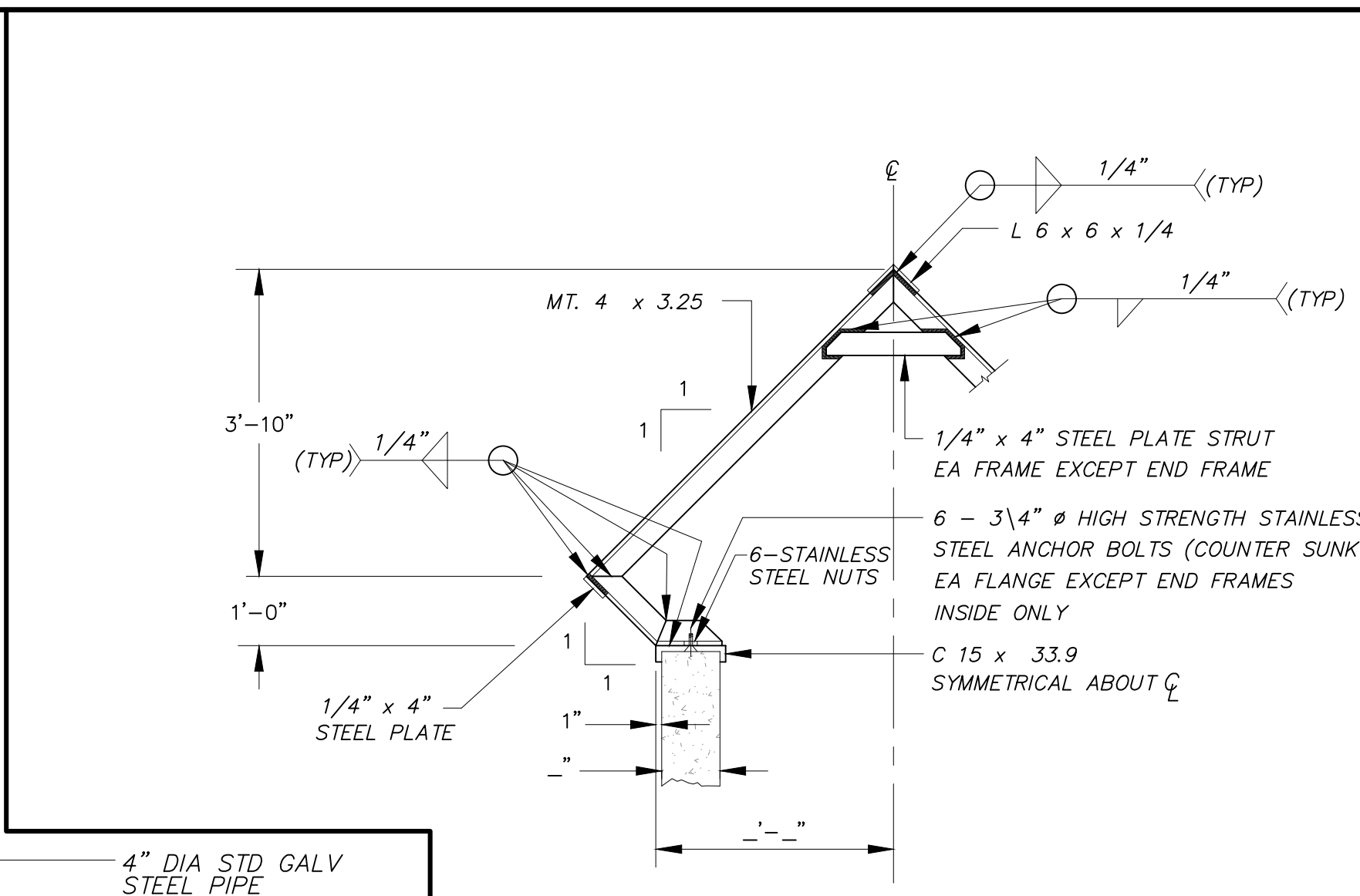


**TYPICAL SECTION OF FOOTBRIDGE**  
NTS

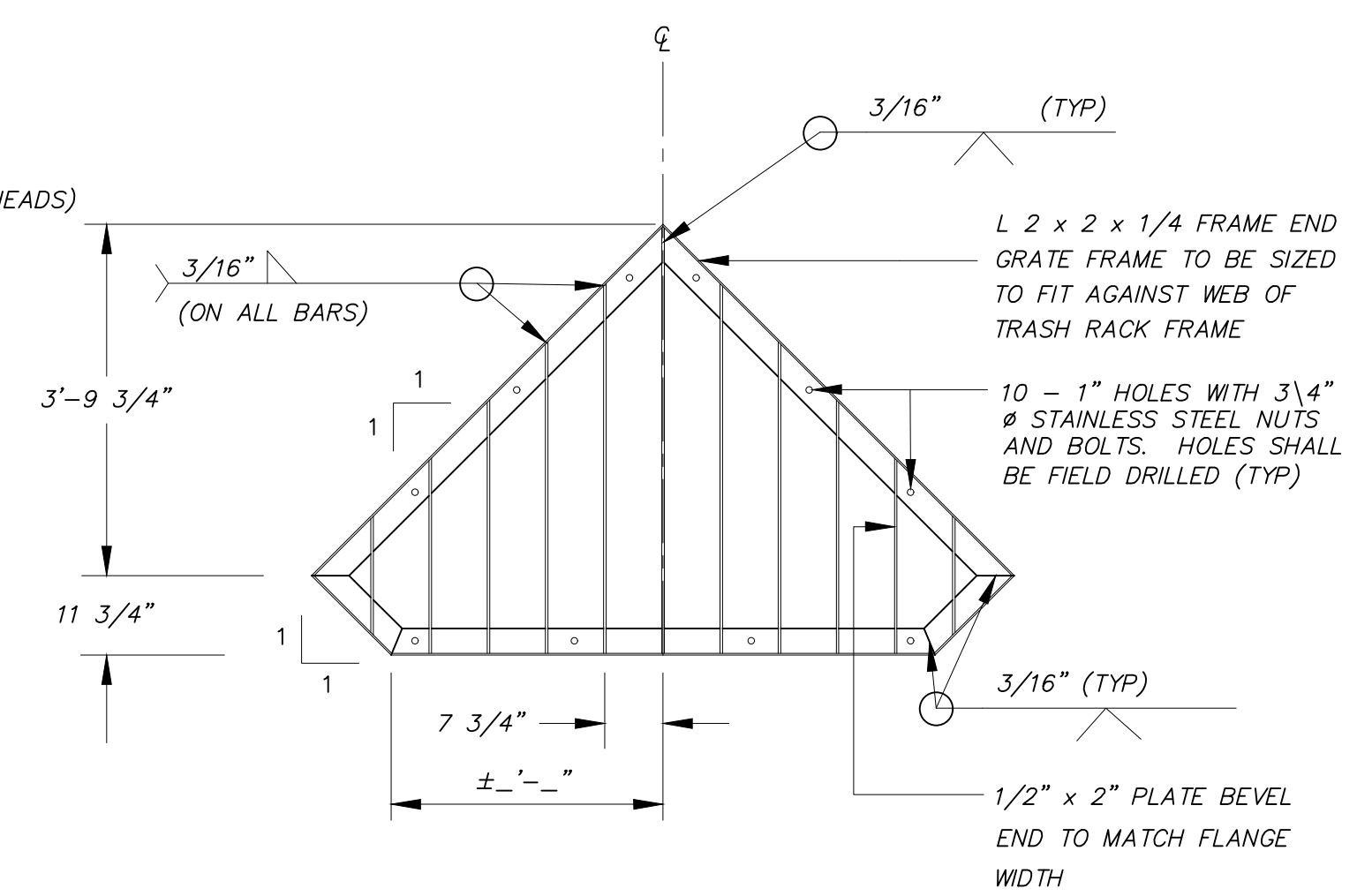


**END FOOTING DETAIL**  
NTS

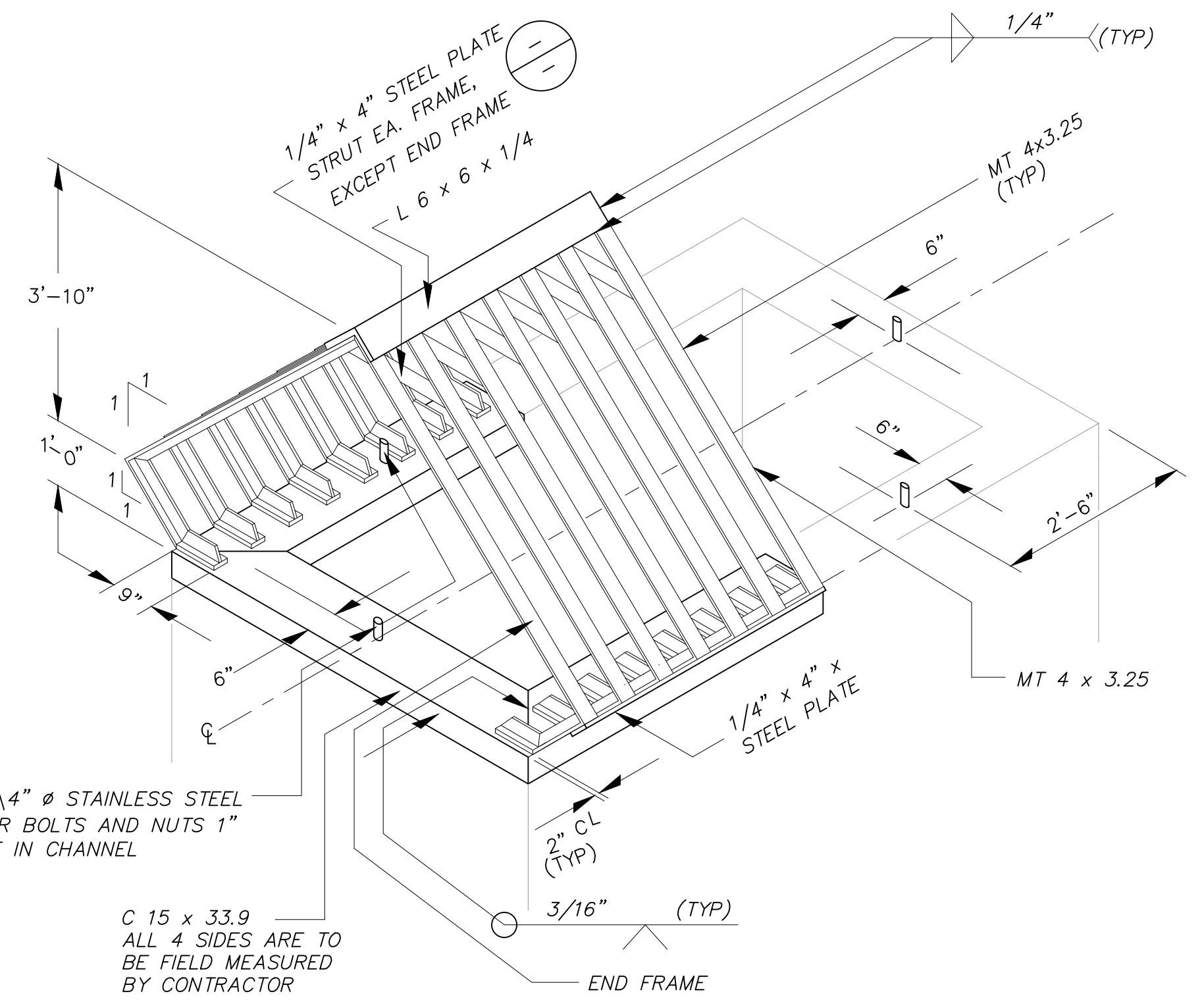
**FOOTBRIDGE DETAILS**  
NTS



**TRASH RACK FRAME DETAIL**  
NTS



**END GRATE DETAIL**  
NTS



**TRASH RACK DETAIL**  
NTS

**TRASH RACK DETAILS**  
NTS

- NOTES:**
- ALL CONCRETE SHALL HAVE 4000 PSI STRENGTH.
  - GALVANIZE ALL FERROUS PARTS AFTER FABRICATION.
  - ALL EXPOSED CONCRETE SURFACES SHALL BE FINE BROOM FINISHED IN A DIRECTION PERPENDICULAR TO THE CENTER LINE OF STAIRWAY.
  - POUR CONCRETE AGAINST UNDISTURBED EARTH OR COMPACTED FILL.
  - RAILING SHALL BE 2" GALVANIZED STEEL PIPE.
  - CONSTRUCTION JOINTS FOR THE INTAKE STRUCTURE SHALL ONLY BE ALLOWED BETWEEN THE INVERT SLAB AND THE TOWER STRUCTURE. CONCRETE SHALL BE PLACEMENT MONOLITHIC.
  - INSTALL 2-INCH STD GALV STEEL PIPE GATE AT LANDSIDE OF FOOTBRIDGE TO MACH THE RAILING PATTERN, INCLUDING HINGES AND LOCKING DEVICE.