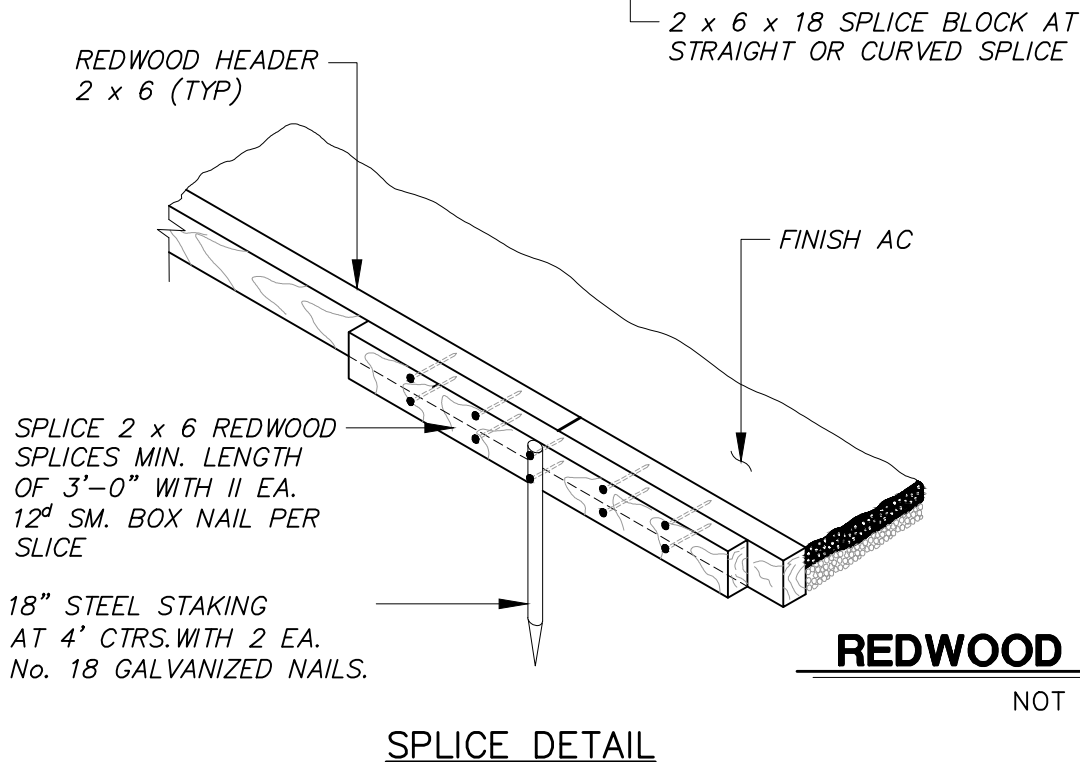
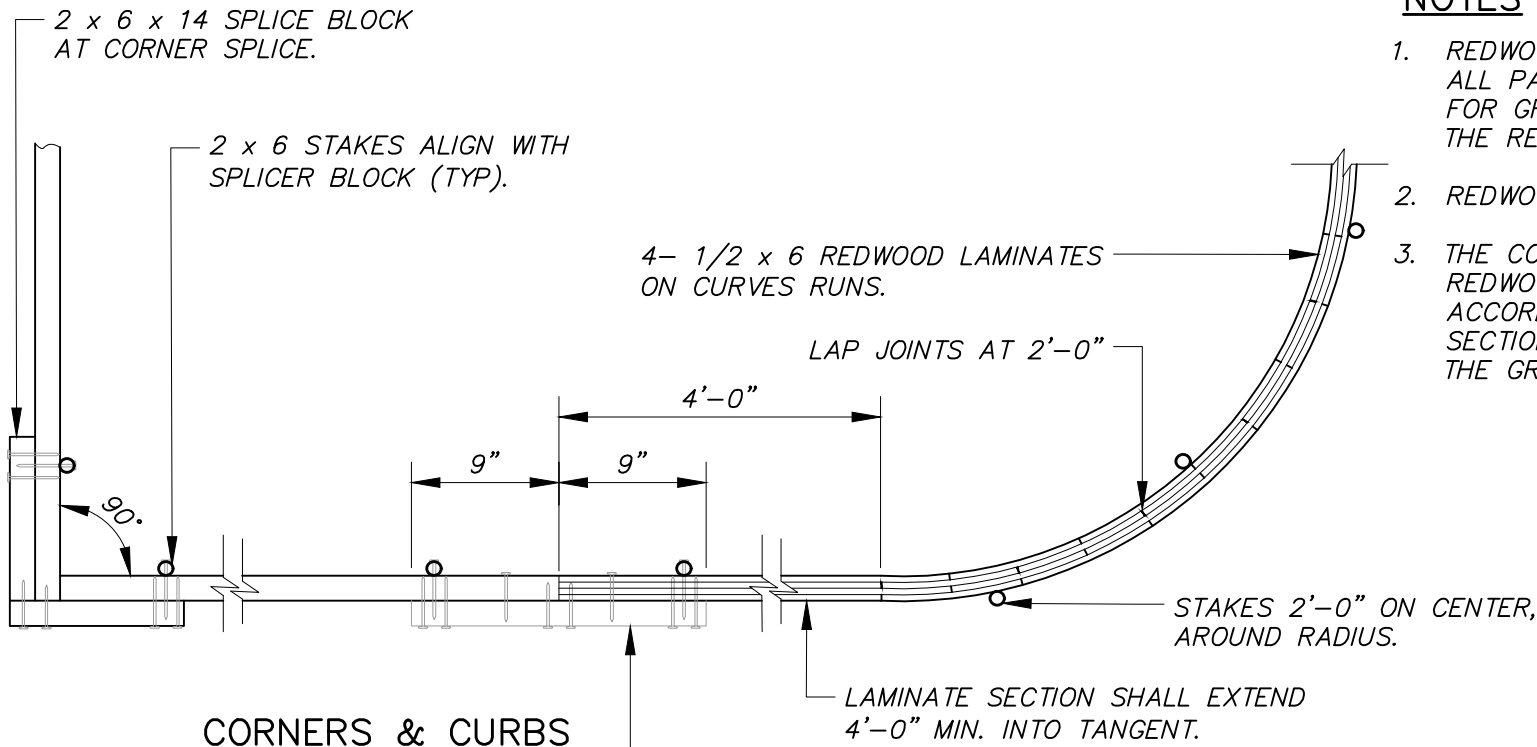
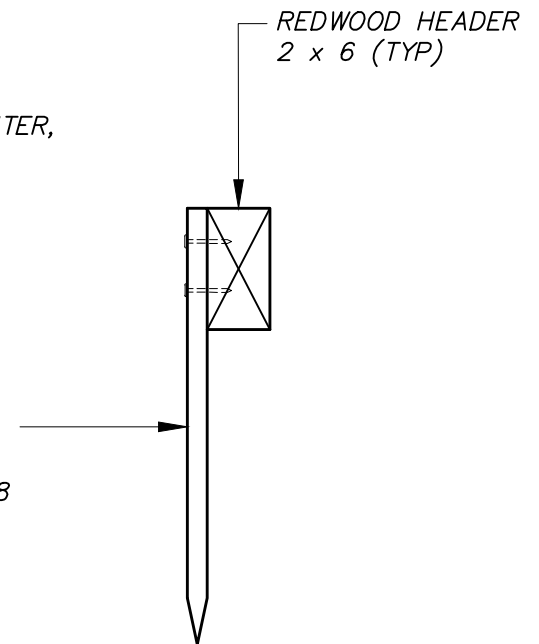


NOTES

1. REDWOOD LUMBER SHALL CONFORM WITH ALL PARTICULAR STANDARD SPECIFICATION FOR GRADE OF CALIFORNIA REDWOOD OF THE REDWOOD INSPECTION SERVICE.
2. REDWOOD SHALL BE LUMBER GRADE No. 1.
3. THE CONSTRUCTION AND INSTALLATION OF REDWOOD HEADER SHALL BE PERFORMED IN ACCORDANCE WITH THE REQUIREMENTS OF SECTION 204-2 OF THE LATEST EDITION OF THE GREEN BOOK.

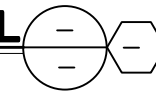


18" STEEL STAKING AT 4' O.C. WITH 2 EA. GALVANIZED NAILS No.18 ON STRAIGHT RUNS



REDWOOD HEADER DETAIL

NOT TO SCALE



(UPDATED 2020)