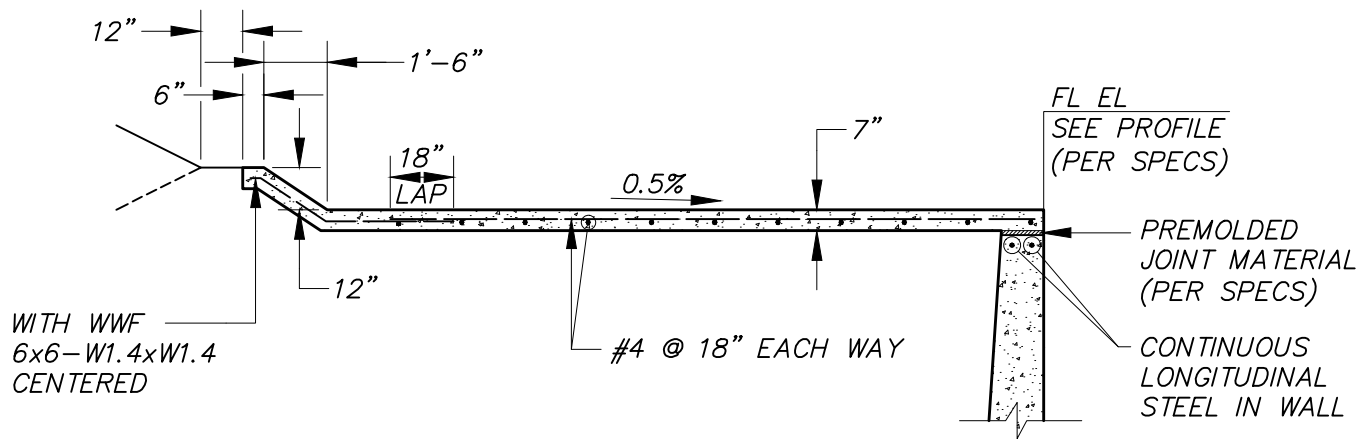
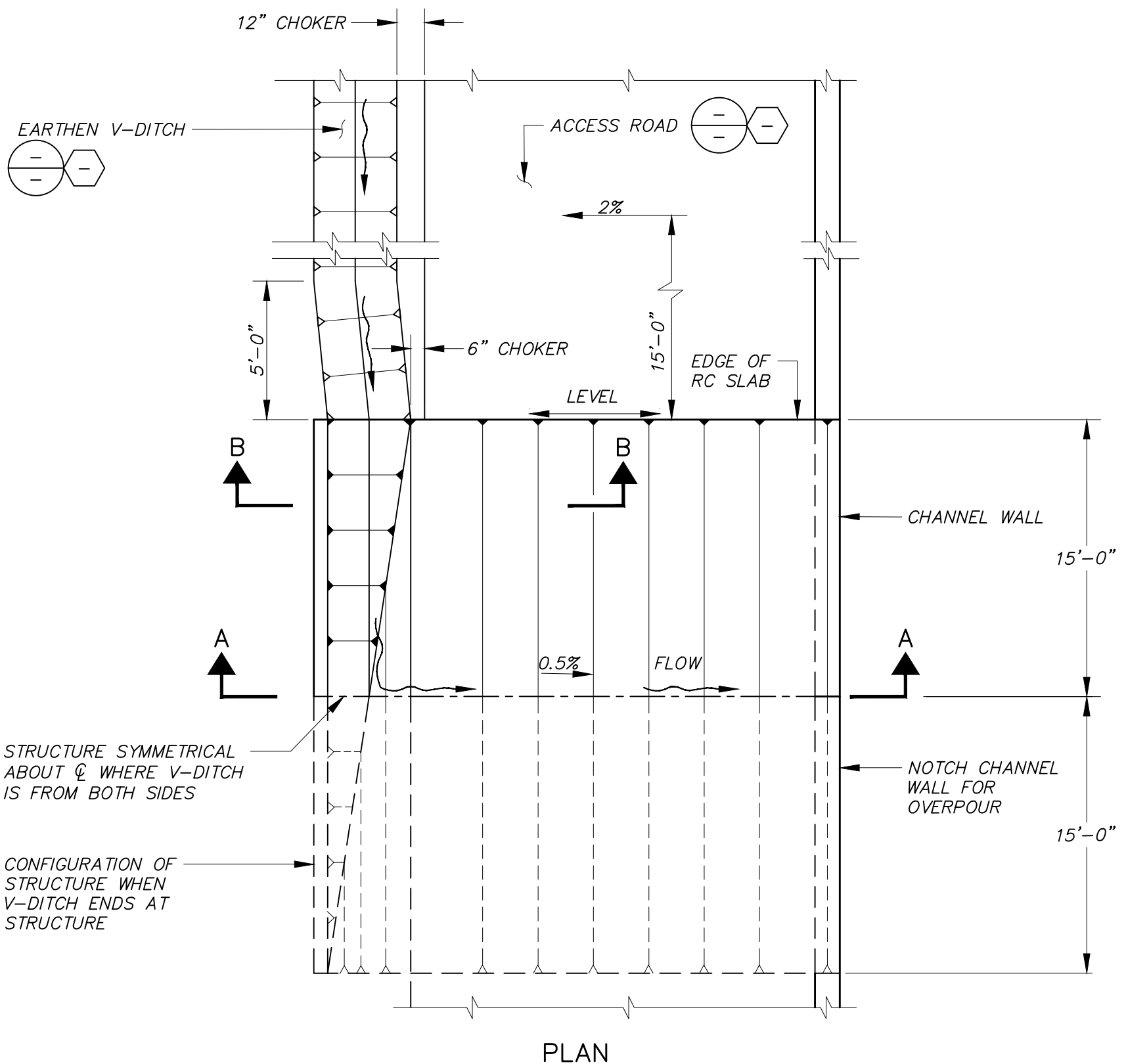


SECTION B-B



SECTION A-A



ACCESS ROAD RC OVERPOUR DETAIL

(WITH EARTHEN V-DITCH APPROACH)

NOT TO SCALE

(UPDATE 3-2019)

