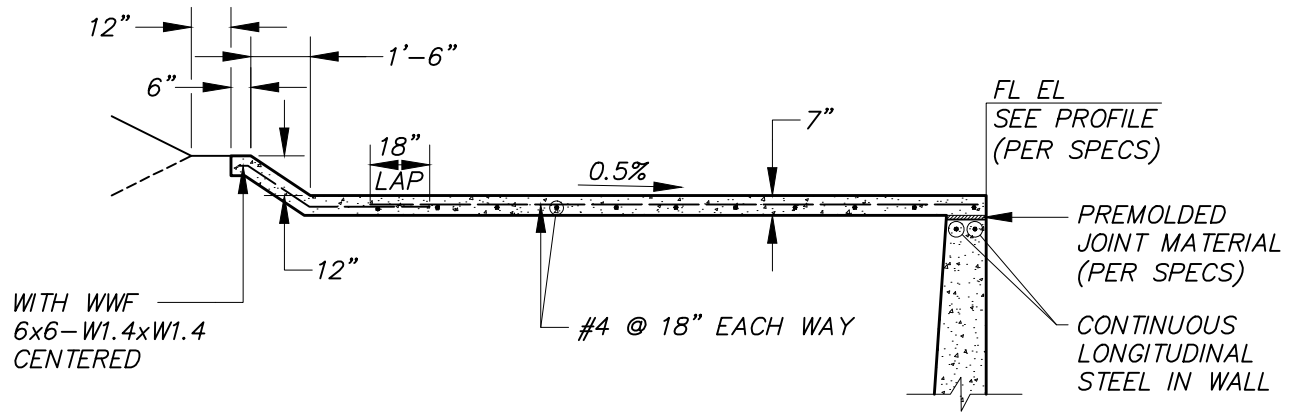
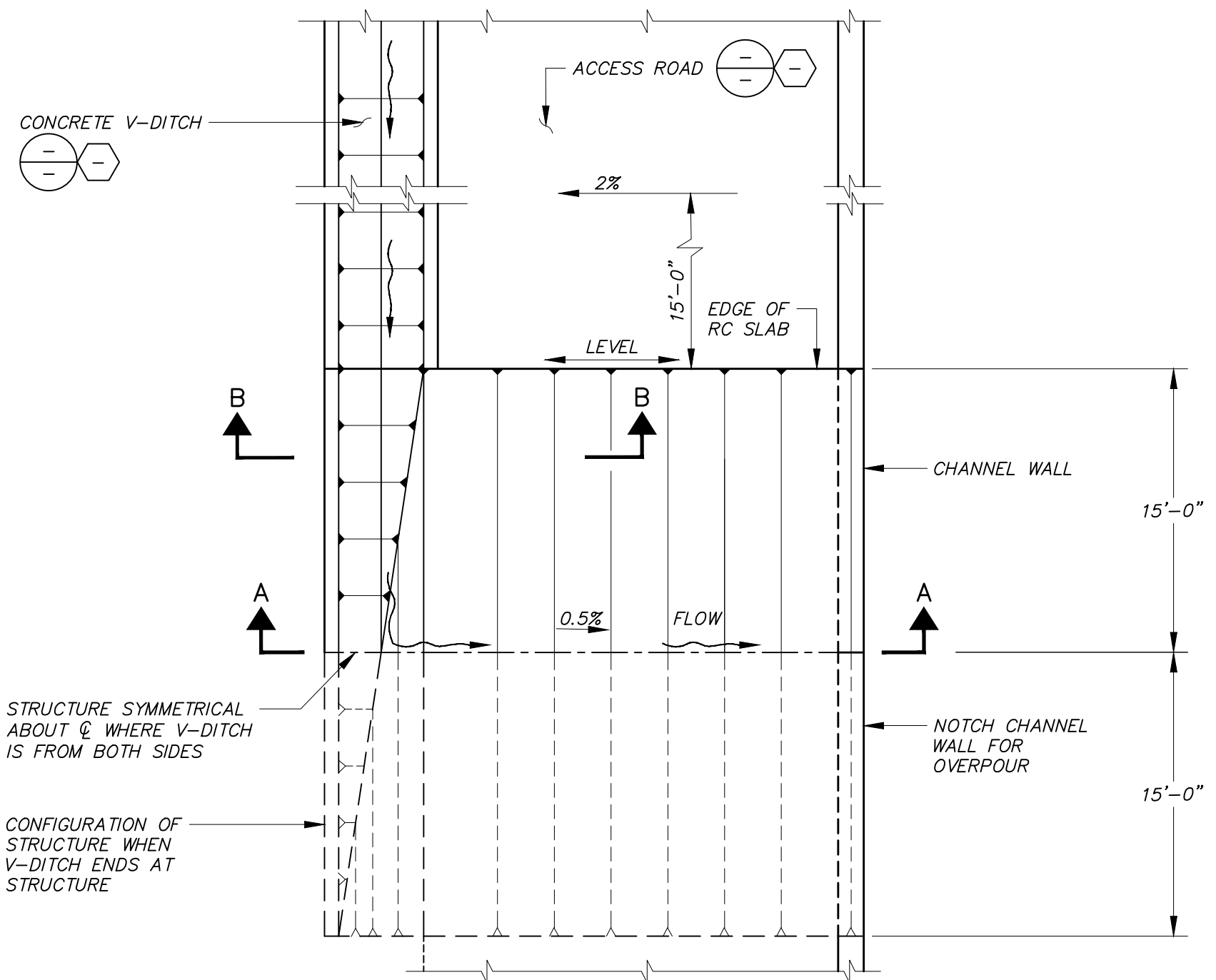


SECTION B-B



SECTION A-A

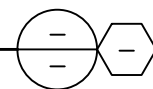


PLAN

ACCESS ROAD RC OVERPOUR DETAIL

(WITH CONCRETE V-DITCH APPROACH)

NOT TO SCALE



(UPDATE 3-2019)