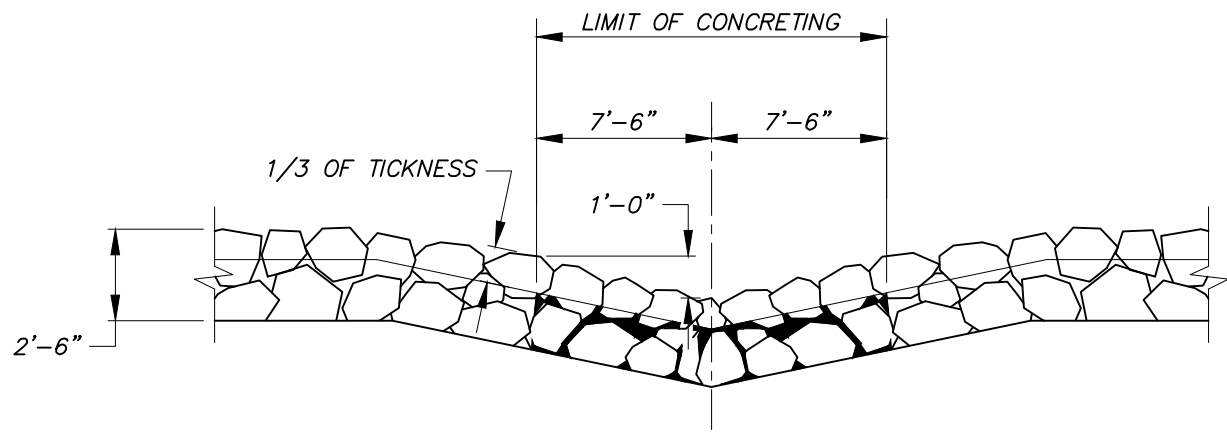
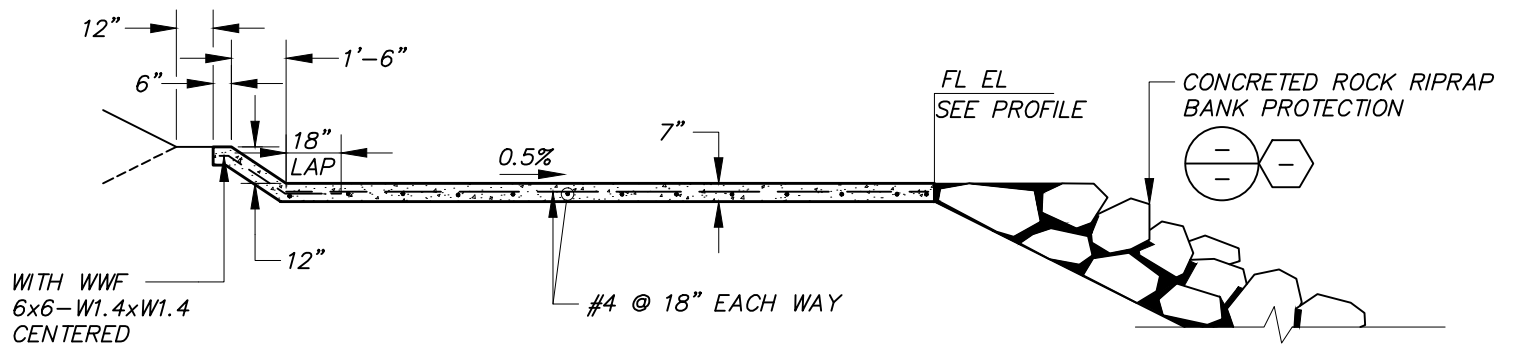


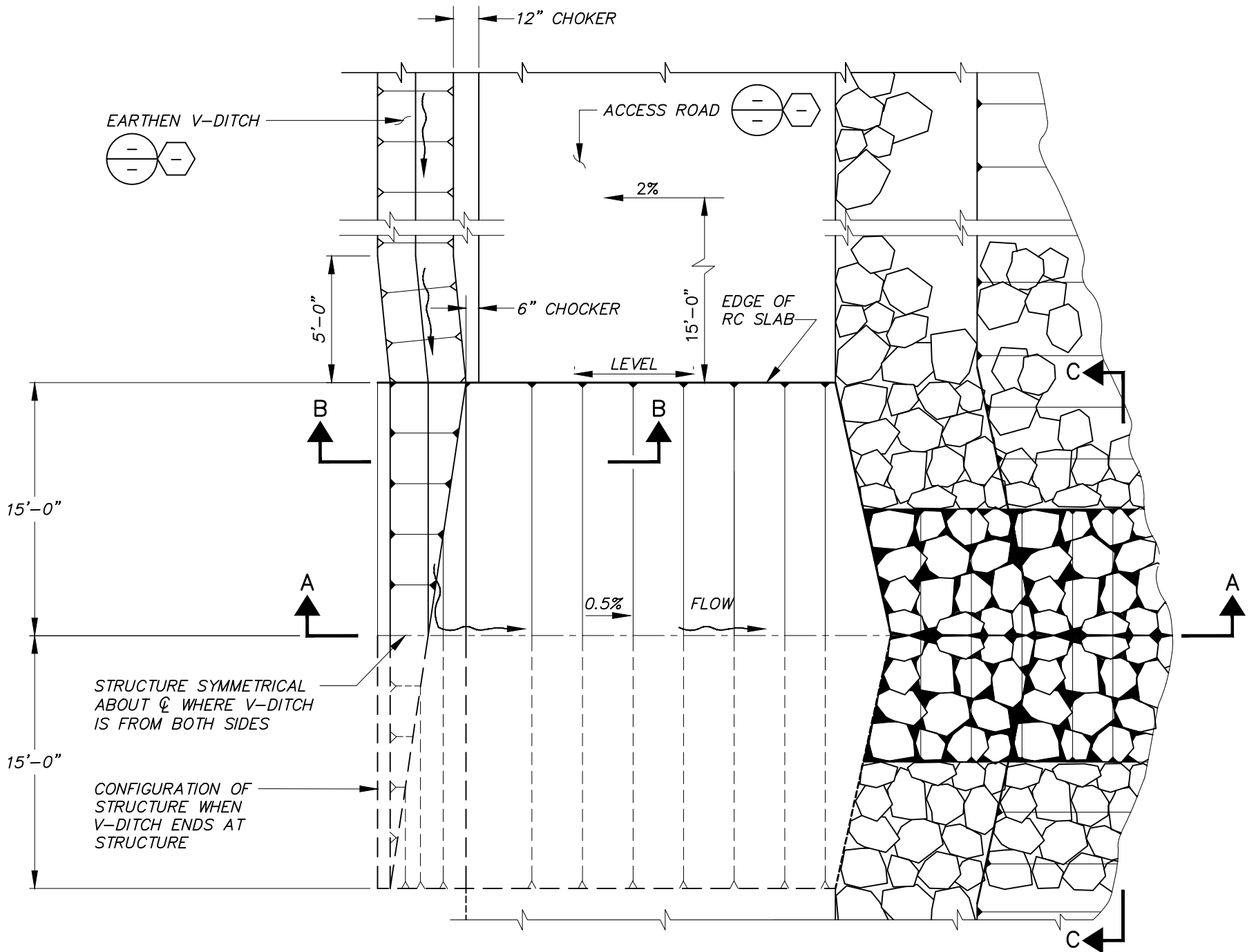
SECTION B-B



SECTION C-C

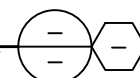


SECTION A-A



PLAN

**ACCESS ROAD RC OVERPOUR DETAIL**



(FOR ROCK RIPRAP BANK PROTECTION WITH EARTHEN V-DITCH APPROACH)

NOT TO SCALE

(UPDATE 3-2019)