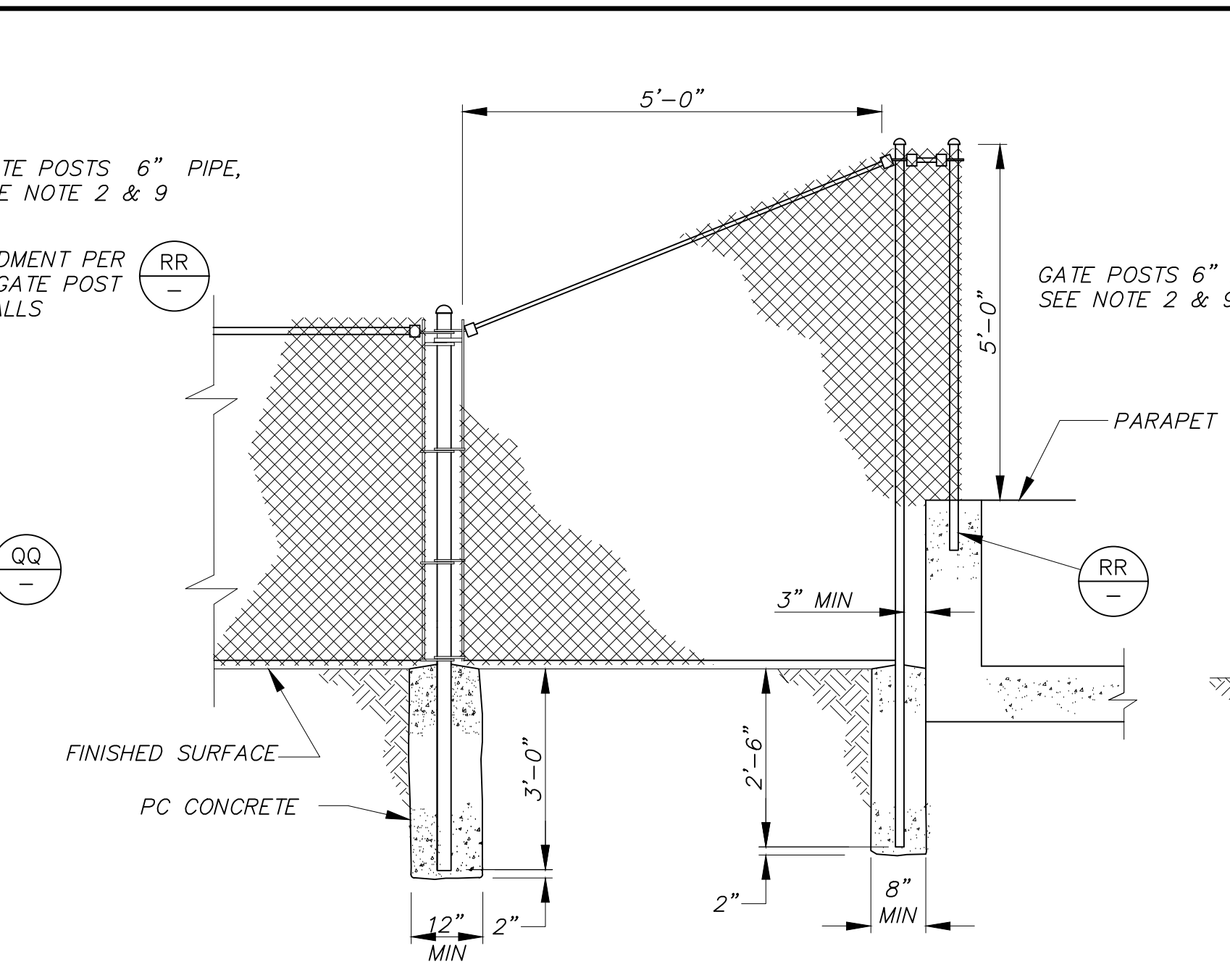
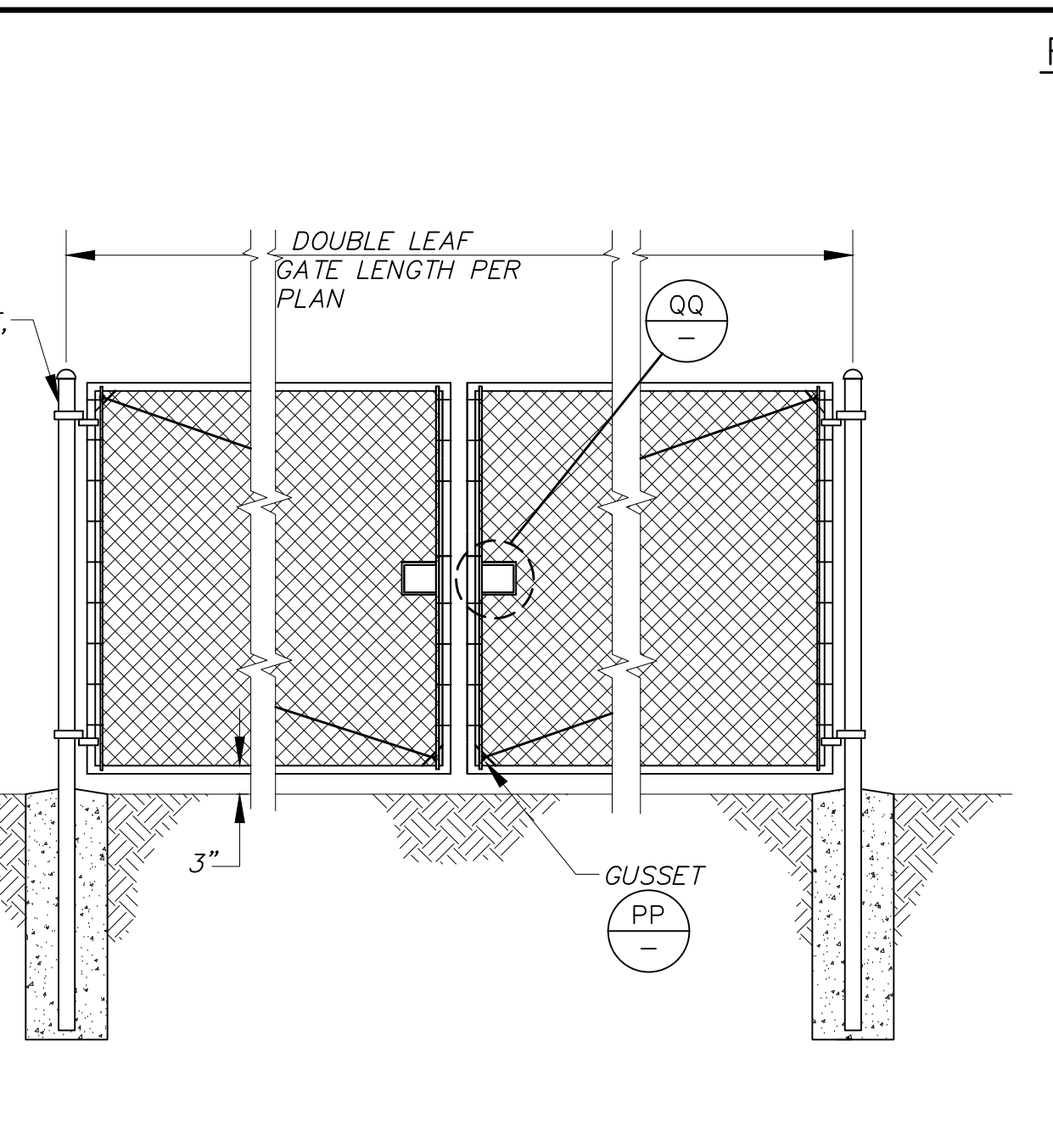


TYPICAL ACCESS ROAD SINGLE LEAF GATE DETAIL (MM)
NOT TO SCALE

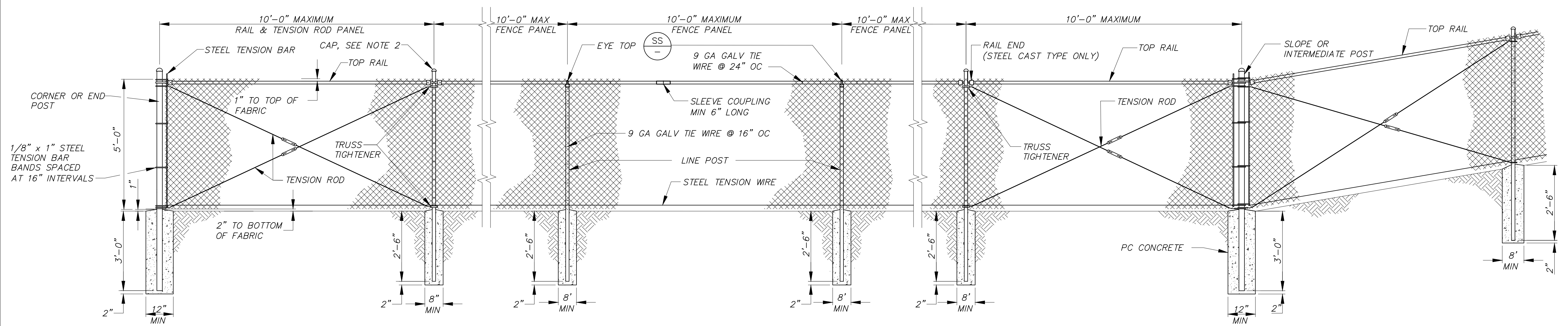


TYPICAL FENCE TRANSITION DETAIL (NN)
NOT TO SCALE

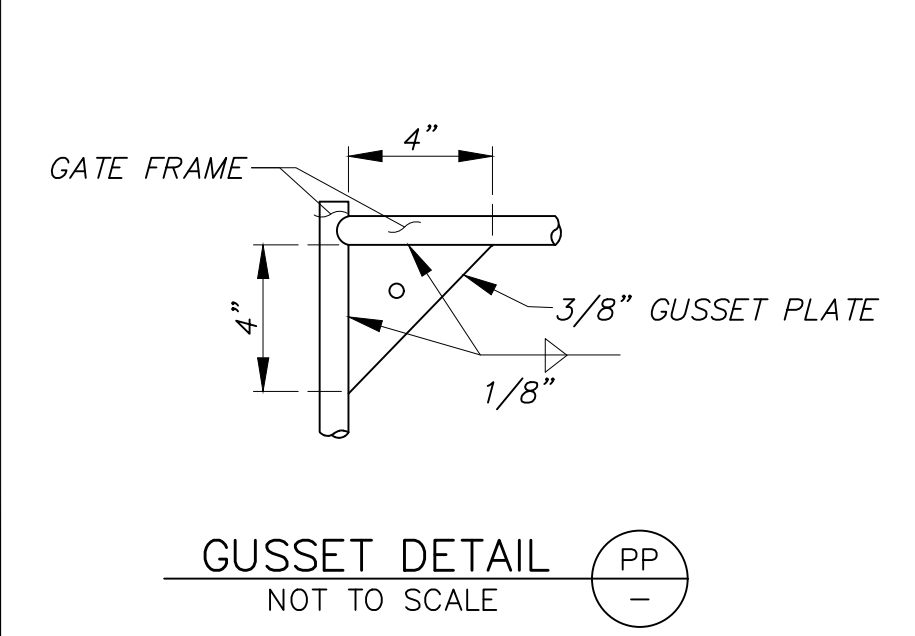


TYPICAL ACCESS ROAD DOUBLE LEAF GATE DETAIL (OO)
NOT TO SCALE

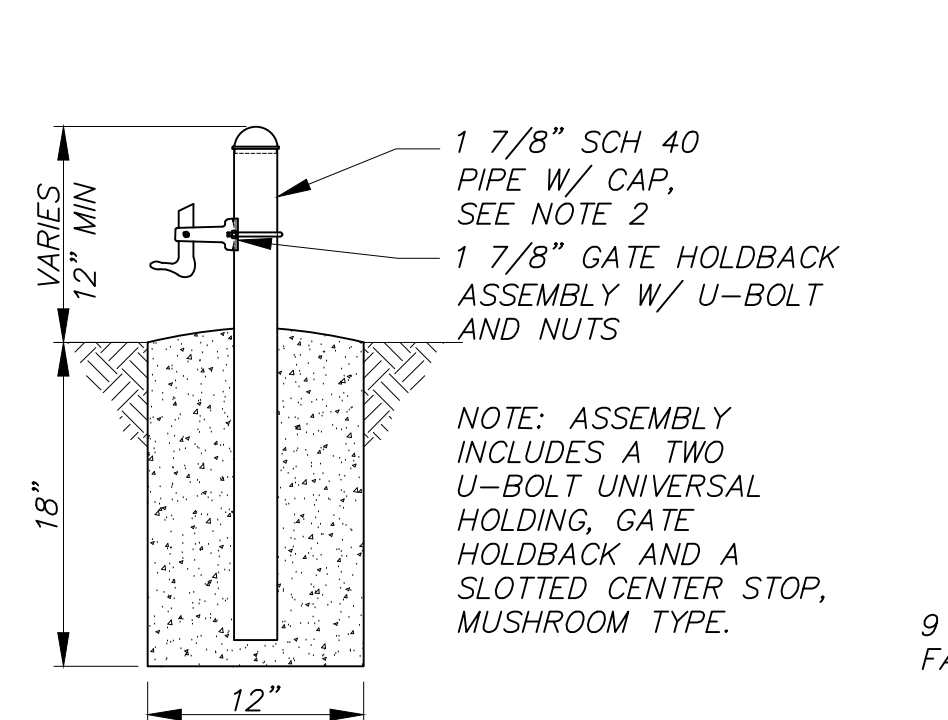
- FENCE NOTES.**
- FOR CONFIGURATION OF TOP AND BOTTOM EDGE OF CHAIN LINK FABRIC SEE SPECIFICATION.
 - SECURE DRIVE FIT GALVANIZED CAP TO POST WITH 1/4" ROUND HEAD RIVET.
 - INTERMEDIATE AND SLOPE POSTS SHALL BE INSTALLED AT NOT MORE THAN 300' INTERVALS ALONG FENCE LINE AND AT GRADE CHANGES EXCEEDING 5%.
 - SEE POST EMBEDMENT DETAIL SHOWN HEREON FOR POST EMBEDMENT IN CHANNEL WALL.
 - EYE TOPS MAY BE USED FOR LINE POSTS AT LOCATIONS WHERE NO TENSION ROD IS REQUIRED.
 - ALL SURFACES SHALL MEET THE MINIMUM REQUIREMENTS OF COATING AS PER SSPWC 210-3.2 AND TABLE 210-3.2(A).
 - GATE LATCH SHALL BE LOCATED SO THAT THE GATE IS HELD COMPLETELY OFF OF THE ACCESS ROAD AND SHALL ATTACH TO THE GATE BETWEEN 2/3 AND 3/4 OF THE DISTANCE FROM THE SWING GATE POST.
 - THREADED ROD WITH NUT MAYBE USED IN PLACE OF TURN BUCKLE.
 - GATE POSTS SHALL BE CAPPED WITH 6" GALVANIZED STEEL CAP AFTER BEING COMPLETELY FILLED WITH CONCRETE.
 - WELDS SHALL BE SLOT OR FILLET WELDS EQUAL TO THICKNESS OF PIPE. WELD ALL JOINTS ALL AROUND.
 - 4-FT LONG 3/8" GALVANIZED LOCKING CHAIN WELDED AT THE CENTER TO GATE FRAME PIPE AND GALVANIZE THE WELDING AREA.
 - GATE LATCH COMPOSED OF 1/4-INCH GRADE 30 HOT DIP GALVANIZED CHAIN, 8 INCHES IN LENGTH. CHAIN SHALL BE WELDED TO THE SWINGING FACE OF THE GATE FRAME PIPE WITH A 1" X 3 1/2" BRONZE BOLT SNAP ATTACHED TO THE END. THE AREA OF THE WELD SHALL BE GALVANIZED.



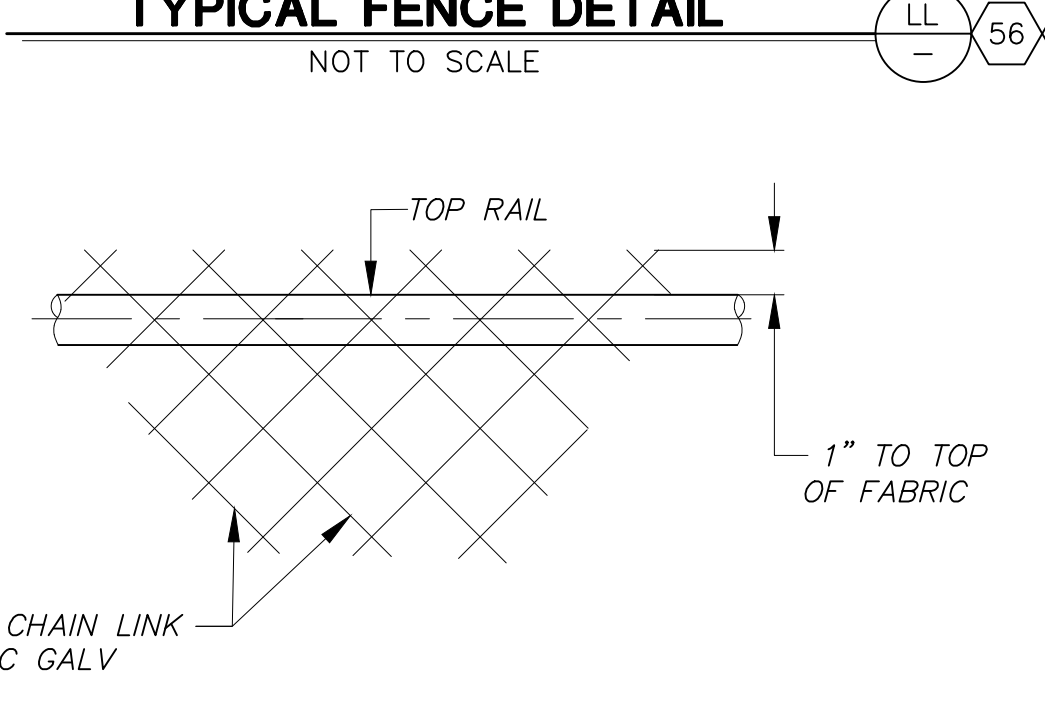
TYPICAL FENCE DETAIL (LL)
NOT TO SCALE



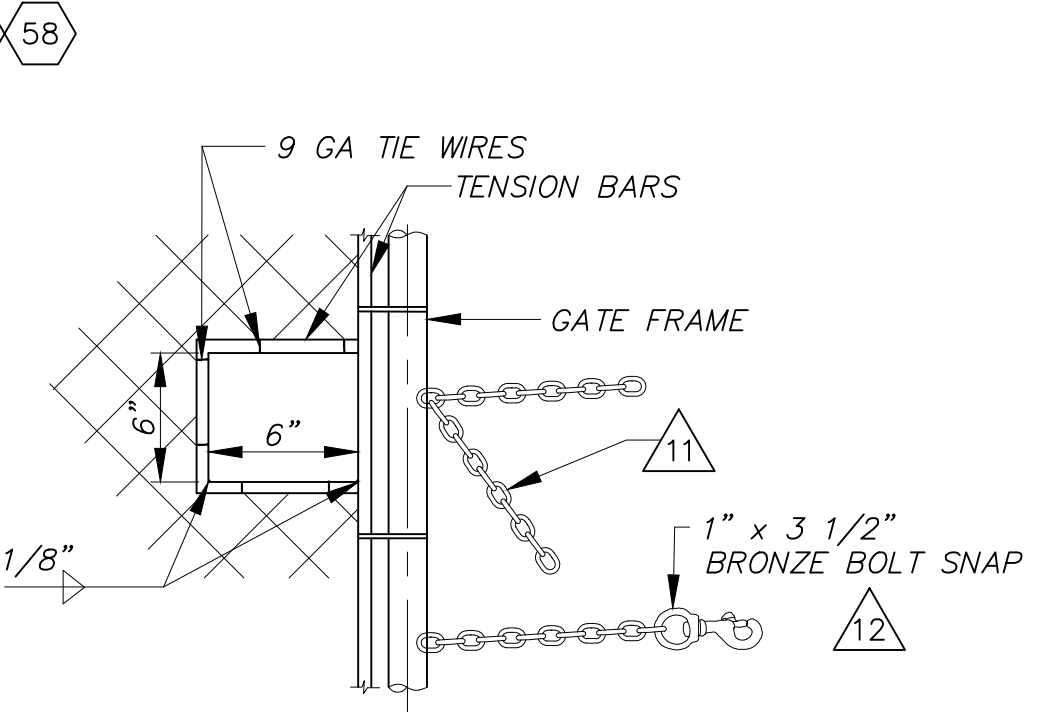
GUSSET DETAIL (PP)
NOT TO SCALE



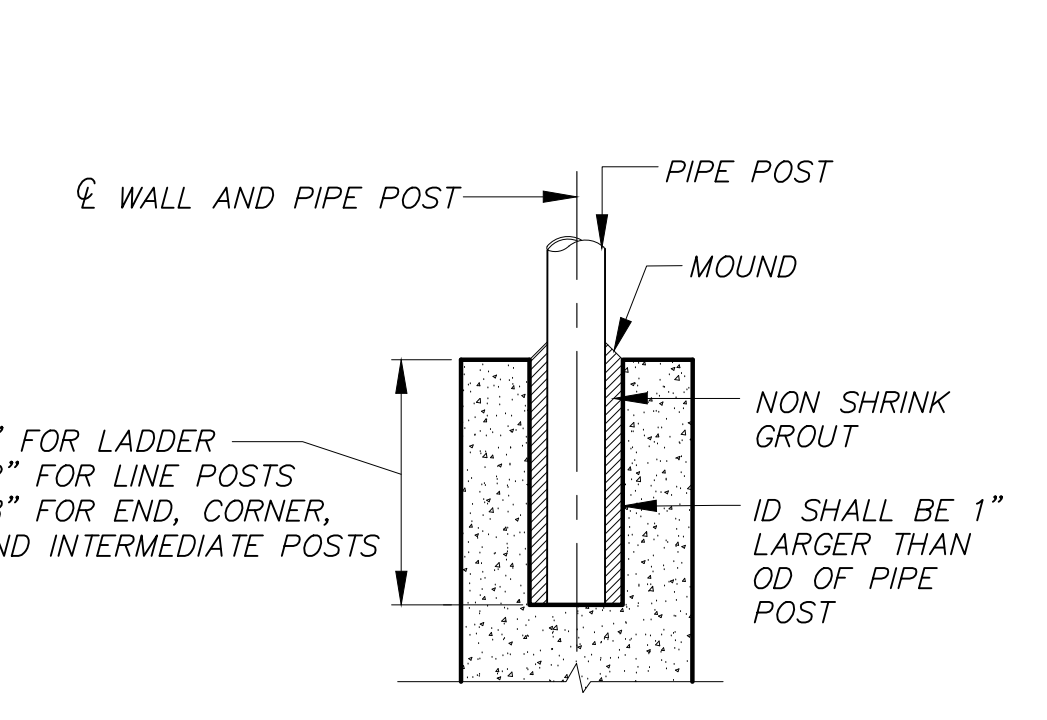
GATE LATCH DETAIL (UU)
NOT TO SCALE



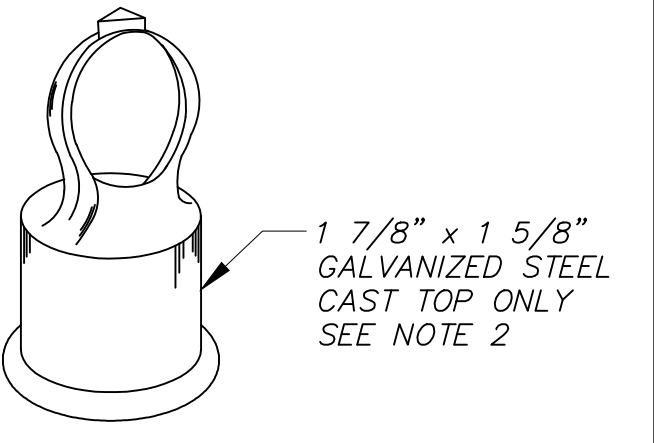
RAIL AND TOP FENCE DETAIL (TT)
NOT TO SCALE



CHAIN AND LOCK CUT-OUT DETAIL (QQ)
NOT TO SCALE



POST EMBEDMENT IN REINFORCED CONCRETE DETAIL (RR)
NOT TO SCALE



EYE TOP DETAIL (SS)
NOT TO SCALE

PLOT DATE: 8/30/18

SAVE DATE: 8/30/18 117246 K:\RESOURCES\STANDARDS_PROCEDURES\WEB_TEMPLATES\02_FENCE_DET-SHT_34X22(M ON 8-30-18).DWG

REVISION	DESCRIPTION	APP.	DATE
D			
C			
B			
A			

DESIGNED	PROJECT MANAGER	DATE
A RAMIREZ		
DRAWN	DEPUTY DIRECTOR	DATE
CHECKED	DISTRICT DIRECTOR	DATE

**COUNTY OF VENTURA
PUBLIC WORKS AGENCY
WATERSHED PROTECTION DISTRICT**

SPEC. NO.	
PROJ. NO.	

PROJECT NAME
CHAIN LINK FENCE AND GATE DETAILS

SHEET	
OF	
DRAWING NO.	Y-1-