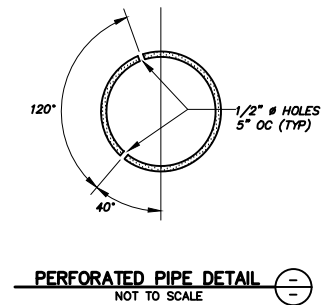
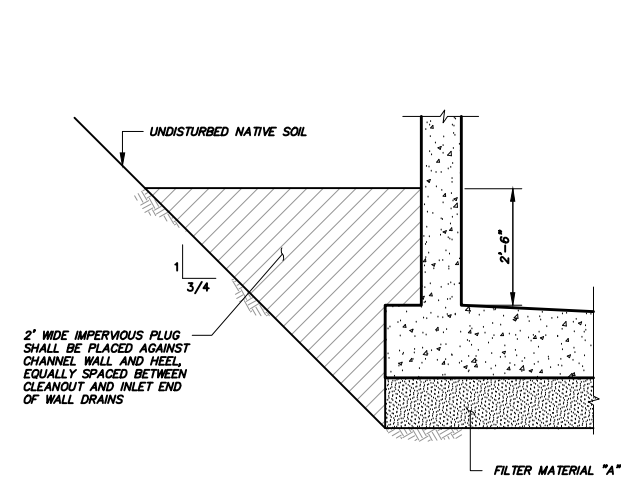


SUBDRAIN SYSTEM DETAIL & PIPING INSTALLATION

**NOTES FOR SUBDRAIN SYSTEM**

1. SUBDRAINS SHALL BE INSTALLED ALONG EACH WALL IN OPEN AND RC BOX REACHES.
2. SUBDRAIN CLEANOUT SHALL BE PLACED AT DESIGNATED LOCATIONS AS SHOWN ON PLAN AND PROFILE SHEETS AND ELSEWHERE AT INTERVALS OF NOT MORE THAN 200 FEET UNLESS OTHERWISE SHOWN.
3. ALL PIPE SHALL BE PERFORATED AND SHALL BE POLYVINYL CHLORIDE (PVC) PLASTIC (SCHEDULE 40). PIPE PERFORATIONS SHALL BE ON 120 DEGREE ARC AND FACE OUTWARD FROM THE WALL. (SEE DETAIL HEREON)
4. SUBDRAIN INLETS AND CLEANOUT ENDS SHALL BE LOCATED A MINIMUM OF 2 FEET FROM TRANSVERSE CONSTRUCTION JOINTS.
5. SUBDRAIN INLETS SHALL BE SET IN WALL AND NO PART OF IT SHALL PROTRUDE BEYOND THE INSIDE FACE OF CHANNEL WALL.
6. UPON COMPLETION OF THE PROJECT, CONTRACTOR SHALL CLEAR ALL SUBDRAINS OF DIRT, RUBBLE, OR OTHER RESTRICTIONS THAT WOULD PROHIBIT FREE FLOW OF WATER THROUGH THE SUBDRAIN PIPE.
7. FILTER AND DRAIN MATERIAL SHALL BE PLACED UP TO PIPE INVERT PRIOR TO INSTALLING PIPE.
8. THE IMPERVOUS PLUG SHALL CONSIST OF CLASS 500-C-2500 CONCRETE.



SUBDRAIN SYSTEM DETAIL & PIPING INSTALLATION