

STORMWATER POST-CONSTRUCTION TREATMENT DEVICE OPERATIONS & MAINTENANCE

Piru Skate Park 500 North Main St, Piru

Devices On-Site:
Infiltration Trench

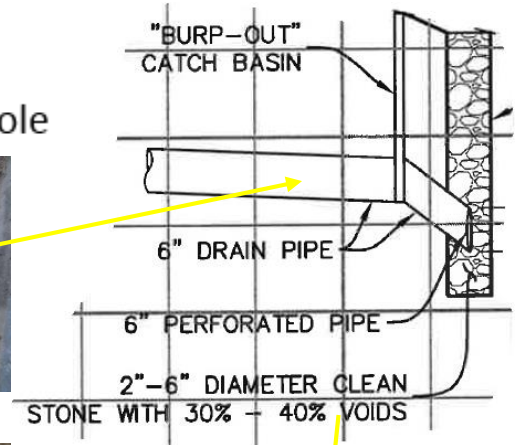
Area Drain



Sedimentation Manhole



Infiltration Trench



Operations & Maintenance Plan

Date: _____ O & M Personnel: _____ Signature: _____

O & M Frequency: Pre-Wet Season (before Oct 1) Post-Wet Season (after April 15) After Storm

Infiltration Trench			
Activity	O & M Needed	O & M Completed	Comments / Maintenance Performed
Remove Trash/Debris/Sediment			
Assess for Poor Vegetative Health (i.e. Weeds, loss of rock cover)			
Repair Erosion/Scouring			
Repair & Clear Blockages of Inlet/Overflow Pipes			
If Standing Water is present 4 days after rain event, maintenance is needed immediately to restore infiltration. (See O & M details in 2011 Technical Guidance Manual Chapter 6 Page 131)			

*2011 Technical Guidance Manual is available under Publications/Manuals @ <http://vcstormwater.org>